



Fill Casing Section

1. Drift eliminators
2. Fill kit & fill supports
3. Spray nozzles & nozzles grommets
4. Spray branches
5. Spray branch grommets
6. Spray header

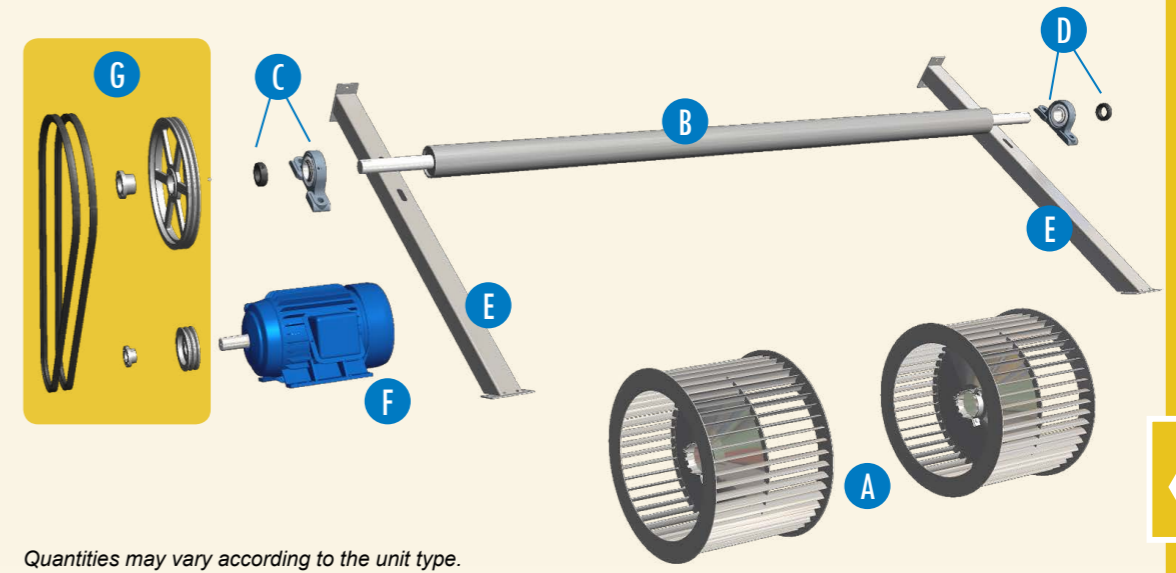
Pan Fan Section

7. Fan housing & fan snout
8. Fan guard
9. Motor base adjusting screw
10. Strainer
11. Make-up valve assembly
12. Float ball
13. Centrifugal fan assembly(see detailed view)
14. Heater
15. Low level cut out switch
16. Heater thermostat
17. Access door & gasket



Centrifugal fan assembly

- A. Centrifugal fan wheel
- B. Fan shaft
- C. Bearing drive end with locking collar
- D. Bearing non-drive end with locking collar
- E. Bearing support
- F. Impervix Fan motor
- G. Drive set
 - Motor sheave & bushing
 - Fan sheave & bushing
 - Belt set



Client contact information

Name _____
 Company _____
 Telephone _____
 Email _____
 Unit model _____
 Serial number _____



Name _____
 Telephone _____
 Email _____



This is not an official order form.

Quantities may vary according to the unit type.

Spare parts for cooling tower

