

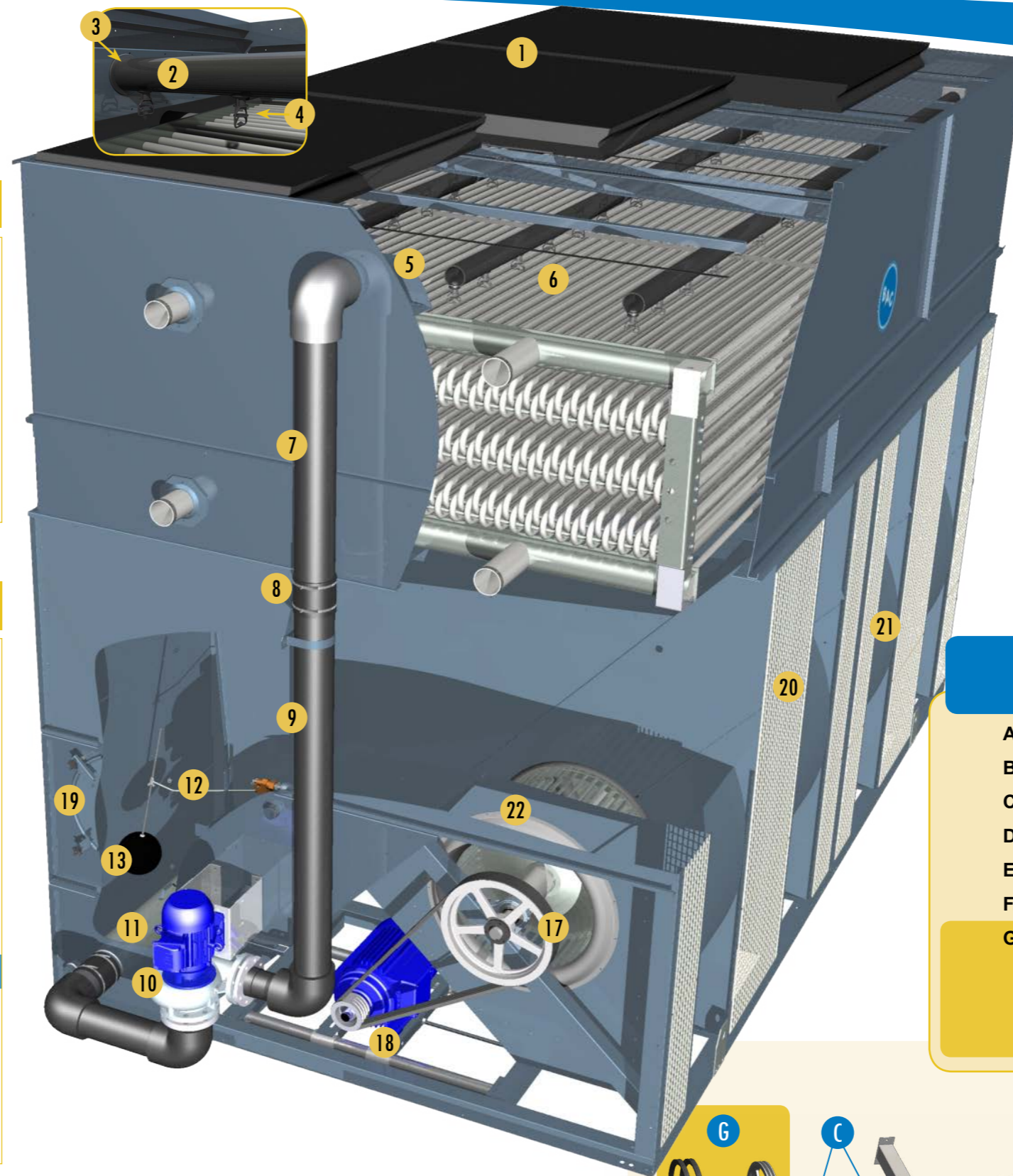


## Coil Casing Section

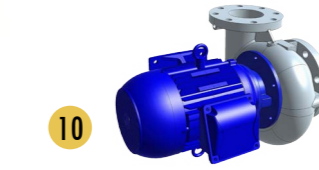
1. Drift eliminators
2. Spray branches
3. Spray branch grommets
4. Spray nozzles & nozzles grommets
5. Spray header
6. Coil(s)
7. Upper pump piping
8. Sleeve & clamps

## Pan Fan Section

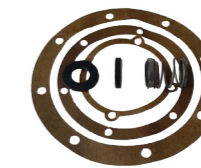
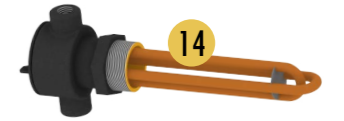
9. Lower pump piping
10. Spray pump  
with volute      without volute      seal kit
11. Strainer
12. Make-up valve & arm
13. Float ball
14. Heater
15. Heater thermostat
16. Low level cut out switch
17. Centrifugal fan assembly (see detailed view)
18. Motor base with adjuster
19. Access door & gasket
20. Fan guard
21. Fan housing & fan snout
22. Fan inlet ring



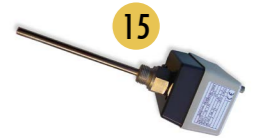
Spray pump with volute



Spray pump without volute

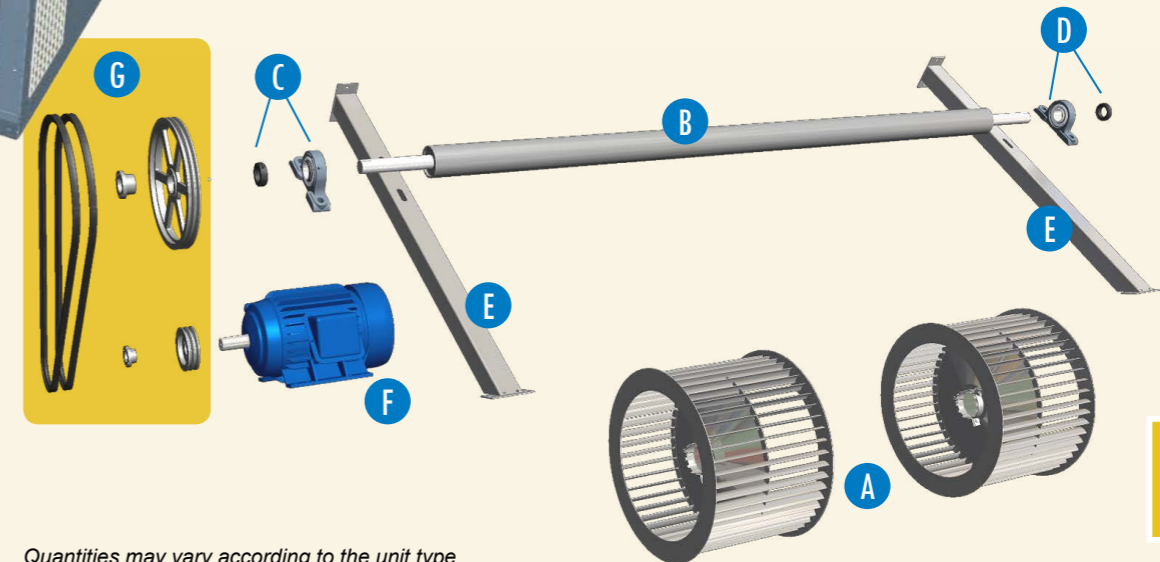


Seal kit



## Centrifugal fan assembly

- A. Centrifugal fan wheel
- B. Fan shaft
- C. Bearing drive end with locking collar
- D. Bearing non-drive end with locking collar
- E. Bearing support
- F. Impervix Fan motor
- G. Drive set  
Motor sheave & bushing  
Fan sheave & bushing  
Belt set



Quantities may vary according to the unit type.

## Client contact information

Name \_\_\_\_\_  
 Company \_\_\_\_\_  
 Telephone \_\_\_\_\_  
 Email \_\_\_\_\_  
 Unit model \_\_\_\_\_  
 Serial number \_\_\_\_\_



## Your BAC-Balticare contact

Name \_\_\_\_\_  
 Telephone \_\_\_\_\_  
 Email \_\_\_\_\_

This is not an official order form.

Spare parts for cooling tower

