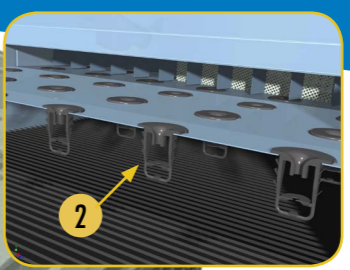


S1500E >>>



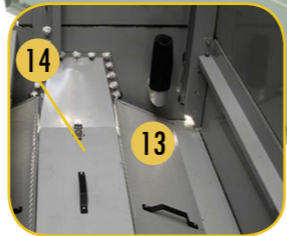
Fill & Pan Section

1. Hot water basin
2. Nozzles
3. BACross 3 - Fill sheets with integrated drift eliminators
4. BACross 3 - Lower fill sheets with integrated drift eliminators (certain models)
5. Combined inlet shields
6. Fan cylinder
7. Fan guard
8. Axial fan assembly (see detailed view)
9. Make-up valve assembly
10. Float ball
11. Access door (not visible)
12. Motor base & adjust rod
13. Pan strainer
14. Pan strainer hood
15. Heater
16. Low level cut out switch
17. Heater thermostat



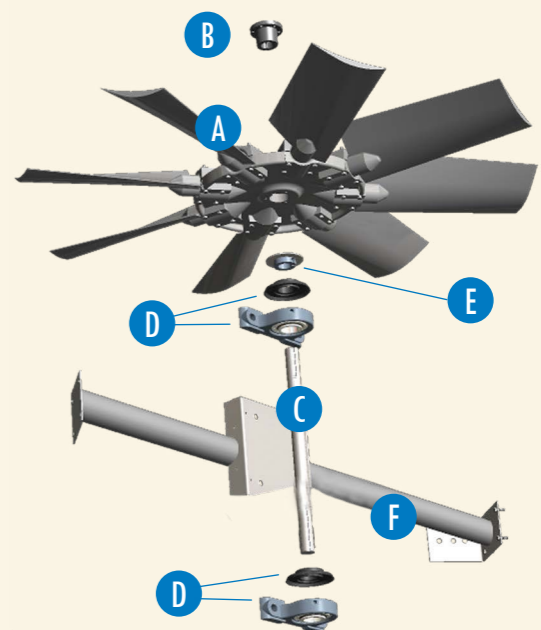
Client contact information

Name _____
 Company _____
 Telephone _____
 Email _____
 Unit model _____
 Serial number _____



Axial fan assembly

- A. Axial fan
- B. Fan bushing
- C. Fan shaft
- D. Bearing with flinger collar
- E. Fan locking collar
- F. Bearing support
- G. Impervix Fan motor
- H. Drive set
 - Motor sheave & bushing
 - Aluminium fan sheave & bushing
 - Belt set



Name _____
 Telephone _____
 Email _____

This is not an official order form.

Quantities may vary according to the unit type.

Spare parts for cooling tower

