

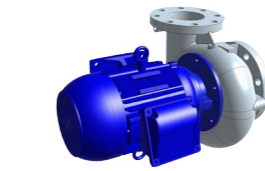
Coil Casing Section

1. Drift eliminators
2. Spray branches
3. Spray branch grommets
4. Spray nozzles & nozzles grommets
5. Spray header
6. Coil(s)
7. Upper pump piping
8. Sleeve & clamps

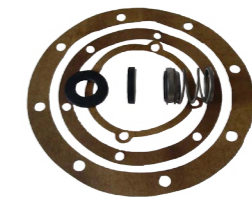
Pan Fan Section

9. Lower pump piping
10. Spray pump
with volute without volute seal kit
11. Strainer
12. Make-up valve & arm
13. Float ball
14. Heater
15. Heater thermostat
16. Low level cut out switch
17. Centrifugal fan assembly (see detailed view)
18. Motor base with adjuster
19. Access door & gasket
20. Fan guard
21. Fan housing & fan snout
22. Fan inlet ring

Spray pump with volute



Spray pump without volute



Seal kit



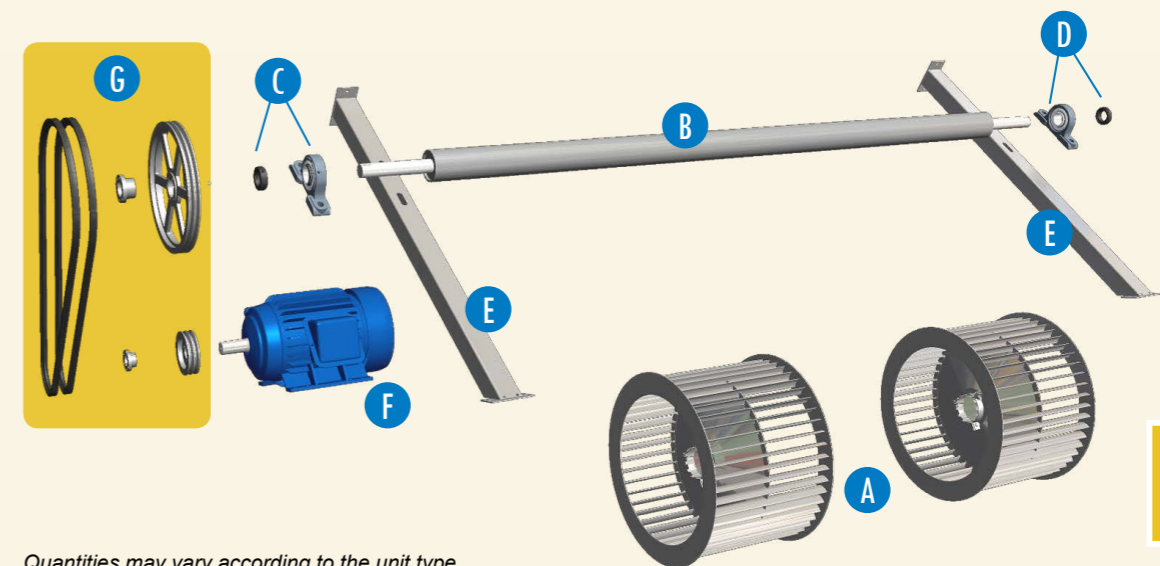
14



15

Centrifugal fan assembly

- A. Centrifugal fan wheel
- B. Fan shaft
- C. Bearing drive end with locking collar
- D. Bearing non-drive end with locking collar
- E. Bearing support
- F. Impervix Fan motor
- G. Drive set
Motor sheave & bushing
Fan sheave & bushing
Belt set



Quantities may vary according to the unit type.

Spare parts for condenser

Client contact information

Name _____
 Company _____
 Telephone _____
 Email _____
 Unit model _____
 Serial number _____

Your BAC-Balticare contact

Name _____
 Telephone _____
 Email _____

This is not an official order form.

