

DFCV-AD Q/S 9126

Adiabatic cooling

Engineering data

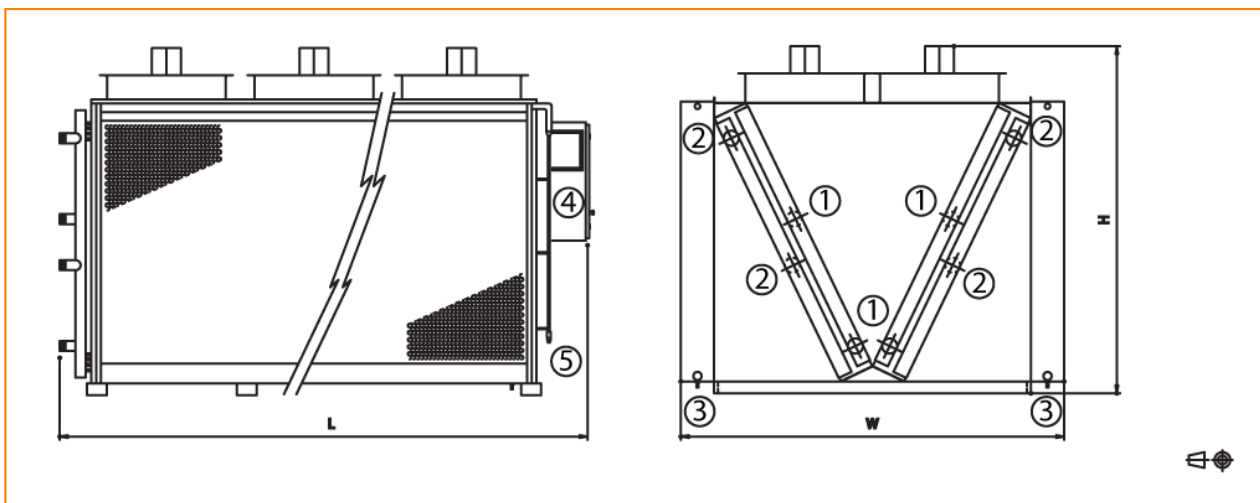
REMARK: Do not use for construction. Refer to factory certified dimensions & weights. This page includes data current at time of publication, which should be reconfirmed at the time of purchase. In the interest of product improvement, specifications, weights and dimensions are subject to change without notice.

General notes

1. Adiabatic cooler capacities are tested according to EN 1048 for dry coolers.
2. TrilliumSeries Coolers of models with D6xx coil configuration have inlet and outlet connections at opposite ends.
3. Adiabatic pre-cooling sections are shipped separately and need to be installed on site.

Last update: 01/10/2021

DFCV-AD Q/S 9126



1. Fluid inlet connection; 2. Fluid outlet connection; 3. Pre-cooler water drain; 4. Electrical panel; 5. Pre-cooler city water connection.



Model	Nr. of Fans	Weights (kg)			Dimensions (mm)			Air Flow (m ³ /s)	Tube Internal Volume (dm ³)	Surface (m ²)	Connections
		Oper. Weight (kg)	Ship. Weight(kg)	Heaviest Section (kg)	L	W	H	Δ			
DFCV Q9126-D613-D-AD	12	4950	4420	3890	7413	2730	2810	33.6	548.0	5208.0	4
DFCV Q9126-M613-D-AD	12	4950	4420	3890	7413	2730	2810	33.6	548.0	5208.0	4
DFCV Q9126-S613-D-AD	12	4950	4420	3890	7413	2730	2810	33.6	548.0	5208.0	4
DFCV S9126-D613-D-AD	12	4664	3920	3613	7413	2730	2810	63.6	548.0	5208.0	4
DFCV S9126-D616-D-AD	12	5354	4262	3956	7413	2730	2810	66.0	860.0	4672.0	4
DFCV S9126-M613-D-AD	12	4664	3920	3613	7413	2730	2810	63.6	548.0	5208.0	4
DFCV S9126-M616-D-AD	12	5354	4262	3956	7413	2730	2810	66.0	860.0	4672.0	4
DFCV S9126-S613-D-AD	12	4664	3920	3613	7413	2730	2810	63.6	548.0	5208.0	4
DFCV S9126-S616-D-AD	12	5354	4262	3956	7413	2730	2810	66.0	860.0	4672.0	4