

DFCV-AD Q/S 9125

Dry and adiabatic cooling

Engineering data

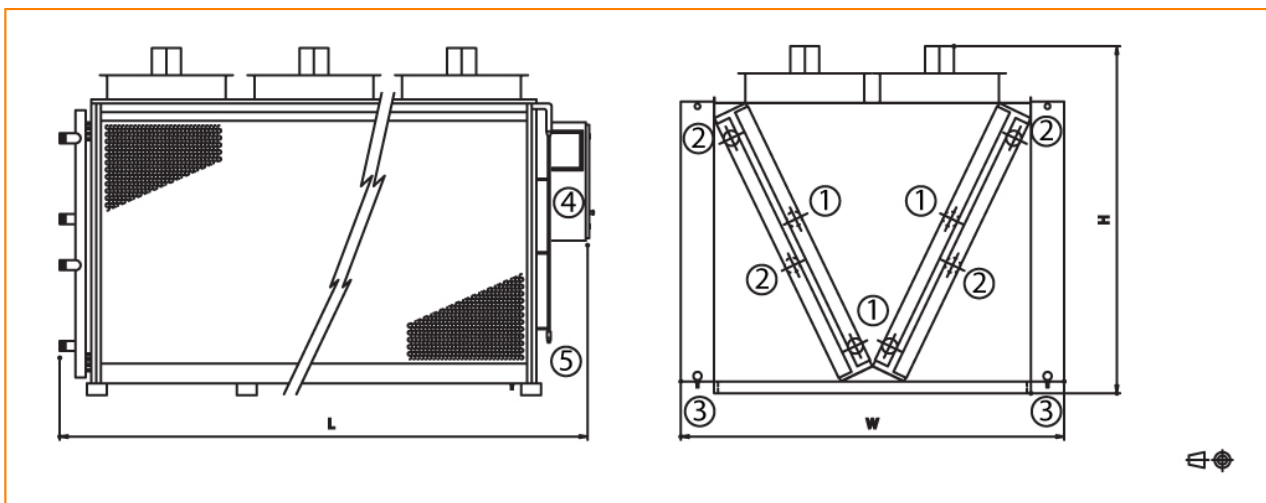
REMARK: Do not use for construction. Refer to factory certified dimensions & weights. This page includes data current at time of publication, which should be reconfirmed at the time of purchase. In the interest of product improvement, specifications, weights and dimensions are subject to change without notice.

General notes

1. Adiabatic cooler capacities are tested according to EN 1048 for dry coolers.
2. TrilliumSeries Coolers of models with D6xx coil configuration have inlet and outlet connections at opposite ends.
3. Adiabatic pre-cooling sections are shipped separately and need to be installed on site.

Last update: 01/06/2020

DFCV-AD Q/S 9125



1. Fluid inlet connection; 2. Fluid outlet connection; 3. Pre-cooler water drain; 4. Electrical panel; 5. Pre-cooler city water connection.



Model	Nr. of Fans	Weights (kg)			Dimensions (mm)			Air Flow (m³/s)	Tube Internal Volume (dm³)	Surface (m²)	Connections
		Oper. Weight (kg)	Ship. Weight(kg)	Heaviest Section (kg)	L	W	H	Δ			
DFCV Q9125-D613-D-AD	10	4220	3790	3320	6313	2730	2810	28.0	456.0	3720.0	4
DFCV Q9125-M613-D-AD	10	4220	3790	3320	6313	2730	2810	28.0	456.0	3720.0	4
DFCV Q9125-S613-D-AD	10	4220	3790	3320	6313	2730	2810	28.0	456.0	3720.0	4
DFCV S9125-D613-D-AD	10	4042	3413	3152	6313	2730	2810	53.0	456.0	3720.0	4
DFCV S9125-D616-D-AD	10	4622	3699	3438	6313	2730	2810	55.0	716.0	3336.0	4
DFCV S9125-M613-D-AD	10	4042	3413	3152	6313	2730	2810	53.0	456.0	3720.0	4
DFCV S9125-M616-D-AD	10	4622	3699	3438	6313	2730	2810	55.0	716.0	3336.0	4
DFCV S9125-S613-D-AD	10	4042	3413	3152	6313	2730	2810	53.0	456.0	3720.0	4
DFCV S9125-S616-D-AD	10	4622	3699	3438	6313	2730	2810	55.0	716.0	3336.0	4