

S15E 1212-09 - 1212-12

Open cooling towers

Engineering data

REMARK: Do not use for construction. Refer to factory certified dimensions & weights. This page includes data current at time of publication, which should be reconfirmed at the time of purchase. In the interest of product improvements, specifications, weights and dimensions are subject to change without notice.

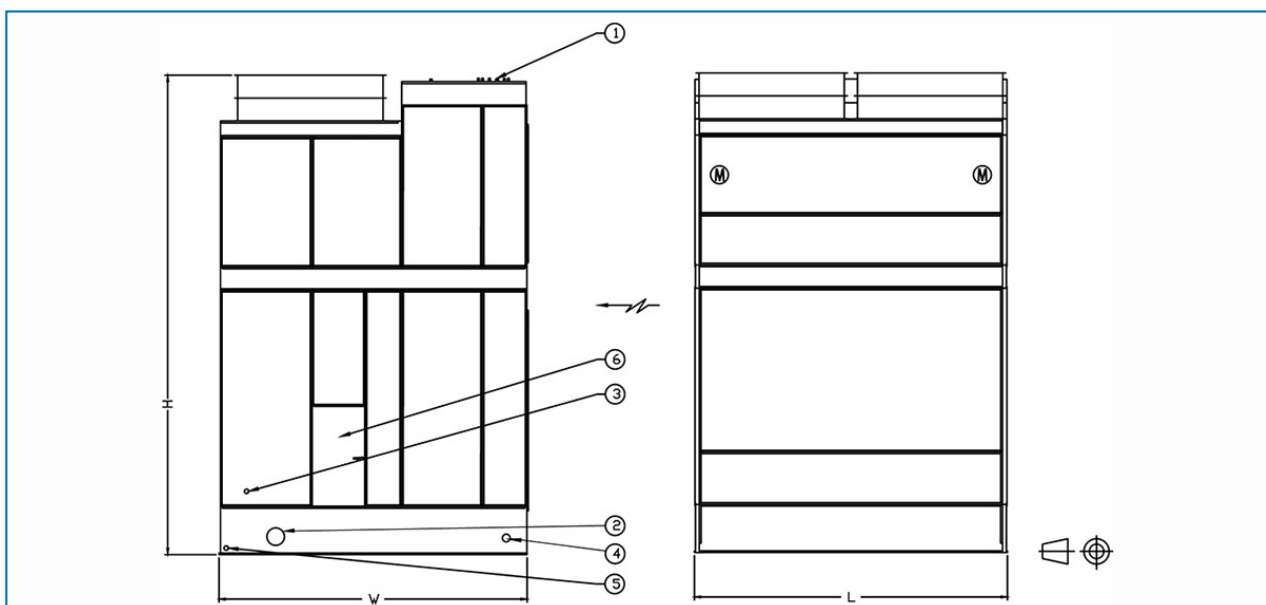
General notes

1. All connections 100 mm and smaller are MPT. Connections 125 mm and larger are beveled-for-welding.
2. Make up, overflow, suction and drain connections can be provided on end opposite to that shown; consult your BAC Balticare representative.
3. Models 1012-09 thru 1012-10, 1018-09 thru 1018-10, 1212-09 thru 1212-12 and 1218-09 thru 1218-12 are shipped in two sections per cell. The top section heights are for model 1012-09 thru 1012-10 and 1212-09 thru 1212-12, 2501 mm. For models 1018-09 thru 1018-10 and 1218-09 thru 1218-12, 2562 mm.

[S1500E cooling tower performance at standard conditions](#)

Last update: 01/10/2021

S15E 1212-09 - 1212-12



1. Water in; 2. Water out; 3. Make up; 4. Overflow ND80; 5. Drain ND50; 6. Access door.



Model	Weights (kg)			Dimensions (mm)			Air Flow (m ³ /s)	Fan Motor (kW)	Fluid Inlet ND (mm)	Fluid Outlet ND (mm)	Make Up ND (mm)
	Oper. Weight (kg)	Ship. Weight(kg)	Heaviest Section (kg)	L	W	H					
S15E 1212-0 9JE	7607	3656	2109	3651	3607	4358	35.0	(2x) 5.5	(1x) 250	(1x) 250	(1x) 40
S15E 1212-0 9KE	7620	3670	2123	3651	3607	4358	38.0	(2x) 7.5	(1x) 250	(1x) 250	(1x) 40
S15E 1212-0 9LE	7734	3783	2236	3651	3607	4358	43.0	(2x) 11.0	(1x) 250	(1x) 250	(1x) 40
S15E 1212-1 0KE	7942	3833	2123	3651	3607	4765	40.0	(2x) 7.5	(1x) 250	(1x) 250	(1x) 40
S15E 1212-1 0LE	8056	3946	2236	3651	3607	4765	45.0	(2x) 11.0	(1x) 250	(1x) 250	(1x) 40
S15E 1212-1 0ME	8110	4001	2291	3651	3607	4765	49.0	(2x) 15.0	(1x) 250	(1x) 250	(1x) 40
S15E 1212-1 1KE	8337	3996	2123	3651	3607	5171	41.0	(2x) 7.5	(1x) 250	(1x) 250	(1x) 40
S15E 1212-1 1LE	8450	4110	2236	3651	3607	5171	46.0	(2x) 11.0	(1x) 250	(1x) 250	(1x) 40
S15E 1212-1 1ME	8505	4164	2291	3651	3607	5171	51.0	(2x) 15.0	(1x) 250	(1x) 250	(1x) 40
S15E 1212-1 2KE	8505	4164	2123	3651	3607	5577	43.0	(2x) 7.5	(1x) 250	(1x) 250	(1x) 40
S15E 1212-1 2LE	8618	4277	2236	3651	3607	5577	48.0	(2x) 11.0	(1x) 250	(1x) 250	(1x) 40
S15E 1212-1 2ME	8673	4332	2291	3651	3607	5577	52.0	(2x) 15.0	(1x) 250	(1x) 250	(1x) 40