



S3E 8518, 1020-1424

Open cooling towers

Engineering data

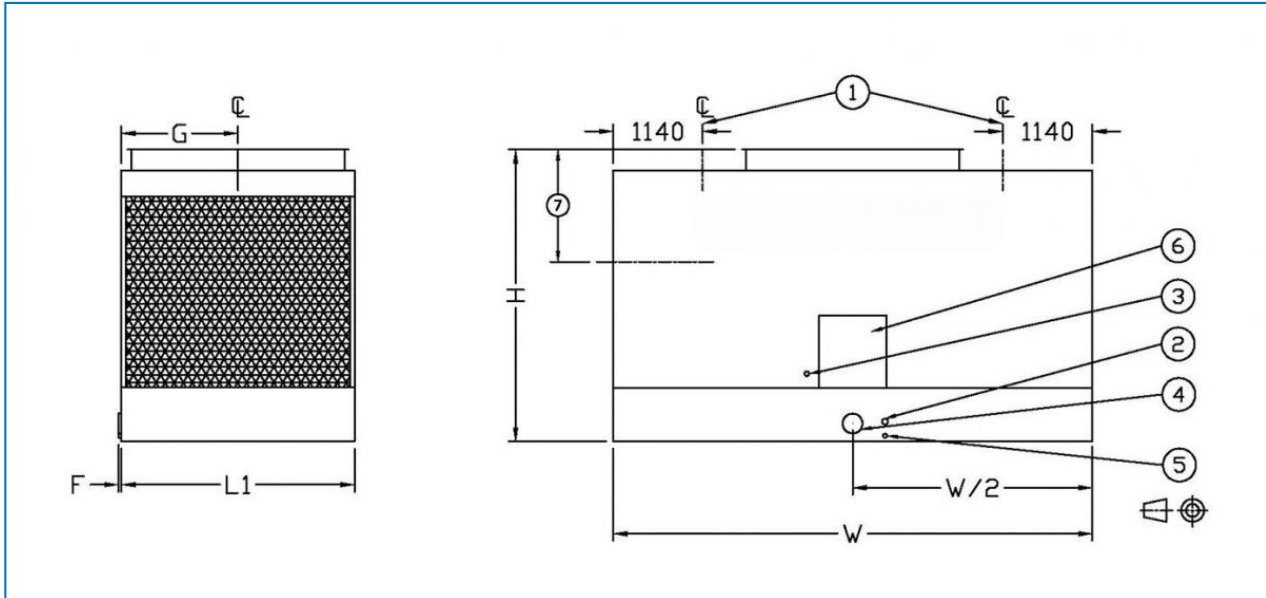
REMARK: Do not use for construction. Refer to factory certified dimensions & weights. This page includes data current at time of publication, which should be reconfirmed at the time of purchase. In the interest of product improvement, specifications, weights and dimensions are subject to change without notice.

General notes

1. Operating weight is for tower with the water level in the cold water basin at overflow. If a lower operating weight is needed to meet design requirements, your local BAC Balticare representative can provide additional assistance.
2. Heights are for units with gear drive, except for models with motors up to and including 18,5 kW which are only available with belt-drive.
3. Models with motors of 22 to 55 kW are shipped an optional gear drive and may have heights up to 190 mm lower than shown.
4. Models with optional Whisper Quiet fan may have heights up to 1000 mm greater than shown.
5. Models with an optional Velocity Recovery Stack can be up to 1500 mm higher
6. Intake attenuators are shipped installed for single cell units. For 2 or more cells, consult factory.
7. Models 1222-10 thru 1222-14 and 1424-12 thru 1424-14 ship in two sections per cell. Top section heights are for models 1222-10 thru 1222-13 and 1424-12 thru 1424-13, 2838 mm. For models 1222-14 and 1424-14, 3245 mm.

Last update: 01/01/2020

S3E 8518, 1020-1424



1. Water in; 2. Overflow ND80; 3. Make up; 4. Water out; 5. Drain ND50; 6. Access door.



| Model | Weights (kg) | | | Dimensions (mm) | | | Air Flow (m ³ /s) | Fan Motor (kW) | Fluid Inlet ND (mm) | Fluid Outlet ND (mm) | Make Up ND (mm) |
|------------------------|-------------------|------------------|-----------------------|-----------------|------|------|------------------------------|----------------|---------------------|----------------------|-----------------|
| | Oper. Weight (kg) | Ship. Weight(kg) | Heaviest Section (kg) | L | W | H | | | | | |
| S3E 8 518-05 L/H | 6878 | 3639 | 3639 | 2585 | 5500 | 2840 | 36.5 | (1x) 11.0 | (2x) 150 | (1x) 200 | (1x) 25 |
| S3E 8 518-05 M/H | 6905 | 3666 | 3666 | 2585 | 5500 | 2840 | 39.9 | (1x) 15.0 | (2x) 150 | (1x) 200 | (1x) 25 |
| S3E 8 518-06 L/H | 7271 | 3789 | 3789 | 2585 | 5500 | 3247 | 39.7 | (1x) 11.0 | (2x) 150 | (1x) 200 | (1x) 25 |
| S3E 8 518-06 M/H | 7280 | 3798 | 3798 | 2585 | 5500 | 3247 | 43.3 | (1x) 15.0 | (2x) 150 | (1x) 200 | (1x) 25 |
| S3E 8 518-06 N/H | 7293 | 3812 | 3812 | 2585 | 5500 | 3247 | 46.4 | (1x) 18.5 | (2x) 150 | (1x) 200 | (1x) 25 |
| S3E 8 518-06 O/H | 7316 | 3834 | 3834 | 2585 | 5500 | 3437 | 48.4 | (1x) 22.0 | (2x) 150 | (1x) 200 | (1x) 25 |
| S3E 8 518-07 M/H | 8312 | 3970 | 3970 | 2585 | 5500 | 3653 | 45.8 | (1x) 15.0 | (2x) 150 | (1x) 200 | (1x) 25 |
| S3E 8 518-07 N/H | 8326 | 3984 | 3984 | 2585 | 5500 | 3653 | 49.0 | (1x) 18.5 | (2x) 150 | (1x) 200 | (1x) 25 |
| S3E 8 518-07 O/H | 8348 | 4007 | 4007 | 2585 | 5500 | 3653 | 51.7 | (1x) 22.0 | (2x) 150 | (1x) 200 | (1x) 25 |
| S3E 8 518-07 P/H | 8421 | 4079 | 4079 | 2585 | 5500 | 3653 | 56.4 | (1x) 30.0 | (2x) 150 | (1x) 200 | (1x) 25 |
| S3E 1 020-06 M/H | 8681 | 4327 | 4327 | 2980 | 6110 | 3247 | 46.2 | (1x) 15.0 | (2x) 150 | (1x) 200 | (1x) 40 |
| S3E 1 020-06 N/H | 8745 | 4391 | 4391 | 2980 | 6110 | 3247 | 49.4 | (1x) 18.5 | (2x) 150 | (1x) 200 | (1x) 40 |
| S3E 1 020-06 O/H | 8767 | 4413 | 4413 | 2980 | 6110 | 3437 | 52.2 | (1x) 22.0 | (2x) 150 | (1x) 200 | (1x) 40 |
| S3E 1 020-07 M/H | 9152 | 4483 | 4483 | 2980 | 6110 | 3653 | 49.8 | (1x) 15.0 | (2x) 150 | (1x) 250 | (1x) 40 |
| S3E 1 020-07 N/H | 9216 | 4547 | 4547 | 2980 | 6110 | 3653 | 53.3 | (1x) 18.5 | (2x) 150 | (1x) 250 | (1x) 40 |
| S3E 1 020-07 O/H | 9239 | 4569 | 4569 | 2980 | 6110 | 3843 | 56.3 | (1x) 22.0 | (2x) 150 | (1x) 250 | (1x) 40 |
| S3E 1 020-07 P/H | 9311 | 4642 | 4642 | 2980 | 6110 | 3843 | 61.4 | (1x) 30.0 | (2x) 150 | (1x) 250 | (1x) 40 |
| S3E 1 222-06 M/H | 10730 | 5161 | 5161 | 3600 | 6566 | 3437 | 53.1 | (1x) 15.0 | (2x) 200 | (1x) 250 | (1x) 40 |
| S3E 1 | 10793 | 5224 | 5224 | 3600 | 6566 | 3437 | 56.8 | (1x) | (2x) | (1x) | (1x) 40 |



| | | | | | | | | | | | |
|------------------------|-------|------|------|------|------|------|-------|--------------|-------------|-------------|---------|
| 222-06 N/H | | | | | | | | 18.5 | 200 | 250 | |
| S3E 1 222-06 O/H | 10816 | 5247 | 5247 | 3600 | 6566 | 3437 | 60.0 | (1x) 22.0 | (2x) 200 | (1x) 250 | (1x) 40 |
| S3E 1 222-07 N/H | 11404 | 5493 | 5493 | 3600 | 6566 | 3843 | 61.3 | (1x) 18.5 | (2x) 200 | (1x) 250 | (1x) 40 |
| S3E 1 222-07 O/H | 11426 | 5516 | 5516 | 3600 | 6566 | 3843 | 64.7 | (1x) 22.0 | (2x) 200 | (1x) 250 | (1x) 40 |
| S3E 1 222-07 P/H | 11499 | 5589 | 5589 | 3600 | 6566 | 3843 | 70.6 | (1x) 30.0 | (2x) 200 | (1x) 250 | (1x) 40 |
| S3E 1 222-07 Q/H | 11504 | 5593 | 5593 | 3600 | 6566 | 3843 | 75.4 | (1x) 37.0 | (2x) 200 | (1x) 250 | (1x) 40 |
| S3E 1 222-07 R/H | 11848 | 5938 | 5938 | 3600 | 6566 | 3843 | 79.7 | (1x) 45.0 | (2x) 200 | (1x) 250 | (1x) 40 |
| S3E 1 222-10 P/H | 15196 | 6953 | 4083 | 3600 | 6566 | 5110 | 84.9 | (1x) 30.0 | (2x) 200 | (1x) 300 | (1x) 40 |
| S3E 1 222-10 Q/H | 15268 | 7025 | 4156 | 3600 | 6566 | 5110 | 90.5 | (1x) 37.0 | (2x) 200 | (1x) 300 | (1x) 40 |
| S3E 1 222-10 R/H | 15273 | 7030 | 4161 | 3600 | 6566 | 5110 | 95.5 | (1x) 45.0 | (2x) 200 | (1x) 300 | (1x) 40 |
| S3E 1 222-10 S/H | 15708 | 7465 | 4596 | 3600 | 6566 | 5110 | 101.8 | (1x) 55.0 | (2x) 200 | (1x) 300 | (1x) 40 |
| S3E 1 222-12 P/H | 16439 | 7373 | 4133 | 3600 | 6566 | 5923 | 90.1 | (1x) 30.0 | (2x) 200 | (1x) 300 | (1x) 40 |
| S3E 1 222-12 Q/H | 16467 | 7400 | 4161 | 3600 | 6566 | 5923 | 96.0 | (1x) 37.0 | (2x) 200 | (1x) 300 | (1x) 40 |
| S3E 1 222-12 R/H | 16562 | 7495 | 4256 | 3600 | 6566 | 5923 | 101.2 | (1x) 45.0 | (2x) 200 | (1x) 300 | (1x) 40 |
| S3E 1 222-12 S/H | 16997 | 7931 | 4691 | 3600 | 6566 | 5923 | 107.9 | (1x) 55.0 | (2x) 200 | (1x) 300 | (1x) 40 |
| S3E 1 222-13 P/H | 16857 | 7583 | 4133 | 3600 | 6566 | 6330 | 92.6 | (1x) 30.0 | (2x) 200 | (1x) 300 | (1x) 40 |
| S3E 1 222-13 Q/H | 16885 | 7610 | 4161 | 3600 | 6566 | 6330 | 98.7 | (1x) 37.0 | (2x) 200 | (1x) 300 | (1x) 40 |
| S3E 1 222-13 R/H | 16980 | 7705 | 4256 | 3600 | 6566 | 6330 | 104.0 | (1x) 45.0 | (2x) 200 | (1x) 300 | (1x) 40 |
| S3E 1 222-13 S/H | 17016 | 7742 | 4292 | 3600 | 6566 | 6330 | 110.9 | (1x) 55.0 | (2x) 200 | (1x) 300 | (1x) 40 |
| S3E 1 222-14 P/H | 17049 | 7775 | 4353 | 3600 | 6566 | 6737 | 95.8 | (1x) 30.0 | (2x) 200 | (1x) 300 | (1x) 40 |
| S3E 1 222-14 | 17077 | 7802 | 4380 | 3600 | 6566 | 6737 | 102.1 | (1x) 37.0 | (2x) 200 | (1x) 300 | (1x) 40 |



| | | | | | | | | | | | |
|------------------------|-------|-------|------|------|------|------|-------------|--------------|-------------|-------------|---------|
| Q/H | | | | | | | | | | | |
| S3E 1 222-14 R/H | 17149 | 7875 | 4452 | 3600 | 6566 | 6737 | 107.6 | (1x) 45.0 | (2x) 200 | (1x) 300 | (1x) 40 |
| S3E 1 222-14 S/H | 17186 | 7911 | 4489 | 3600 | 6566 | 6737 | 115.1 | (1x) 55.0 | (2x) 200 | (1x) 300 | (1x) 40 |
| S3E 1 222-14 T/H | 18056 | 8782 | 4983 | 3600 | 6566 | 6737 | 127.24 5 | (1x) 75.0 | (2x) 200 | (1x) 300 | (1x) 40 |
| S3E 1 424-07 O/H | 15647 | 7466 | 7466 | 4245 | 7328 | 3845 | 72.6 | (1x) 22.0 | (2x) 200 | (1x) 300 | (1x) 40 |
| S3E 1 424-07 P/H | 15720 | 7538 | 7538 | 4245 | 7328 | 3845 | 79.2 | (1x) 30.0 | (2x) 200 | (1x) 300 | (1x) 40 |
| S3E 1 424-07 Q/H | 15724 | 7543 | 7543 | 4245 | 7328 | 3845 | 84.6 | (1x) 37.0 | (2x) 200 | (1x) 300 | (1x) 40 |
| S3E 1 424-07 R/H | 15729 | 7547 | 7547 | 4245 | 7328 | 3845 | 89.4 | (1x) 45.0 | (2x) 200 | (1x) 300 | (1x) 40 |
| S3E 1 424-12 Q/H | 20173 | 9814 | 5395 | 4245 | 7328 | 5923 | 110.1 | (1x) 37.0 | (2x) 250 | (1x) 350 | (1x) 50 |
| S3E 1 424-12 R/H | 20245 | 9887 | 5468 | 4245 | 7328 | 5923 | 115.9 | (1x) 45.0 | (2x) 250 | (1x) 350 | (1x) 50 |
| S3E 1 424-12 S/H | 20268 | 9909 | 5490 | 4245 | 7328 | 5923 | 123.4 | (1x) 55.0 | (2x) 250 | (1x) 350 | (1x) 50 |
| S3E 1 424-12 T/H | 21139 | 10780 | 5985 | 4245 | 7328 | 5923 | 135.30 6 | (1x) 75.0 | (2x) 250 | (1x) 350 | (1x) 50 |
| S3E 1 424-13 Q/H | 20799 | 9991 | 5395 | 4245 | 7328 | 6330 | 113.5 | (1x) 37.0 | (2x) 250 | (1x) 350 | (1x) 50 |
| S3E 1 424-13 R/H | 20871 | 10064 | 5468 | 4245 | 7328 | 6330 | 119.5 | (1x) 45.0 | (2x) 250 | (1x) 350 | (1x) 50 |
| S3E 1 424-13 S/H | 20894 | 10086 | 5490 | 4245 | 7328 | 6330 | 127.2 | (1x) 55.0 | (2x) 250 | (1x) 350 | (1x) 50 |
| S3E 1 424-13 T/H | 21765 | 10957 | 5985 | 4245 | 7328 | 6330 | 139.38 8 | (1x) 75.0 | (2x) 250 | (1x) 350 | (1x) 50 |
| S3E 1 424-14 Q/H | 21517 | 10168 | 5735 | 4245 | 7328 | 6737 | 117.8 | (1x) 37.0 | (2x) 250 | (1x) 350 | (1x) 50 |
| S3E 1 424-14 R/H | 21590 | 10240 | 5808 | 4245 | 7328 | 6737 | 124.0 | (1x) 45.0 | (2x) 250 | (1x) 350 | (1x) 50 |
| S3E 1 424-14 S/H | 21612 | 10263 | 5831 | 4245 | 7328 | 6737 | 132.5 | (1x) 55.0 | (2x) 250 | (1x) 350 | (1x) 50 |
| S3E 1 424-14 T/H | 22483 | 11134 | 6325 | 4245 | 7328 | 6737 | 144.59 2 | (1x) 75.0 | (2x) 250 | (1x) 350 | (1x) 50 |