

# Sound attenuation HD

## Closed circuit cooling towers

### Engineering data

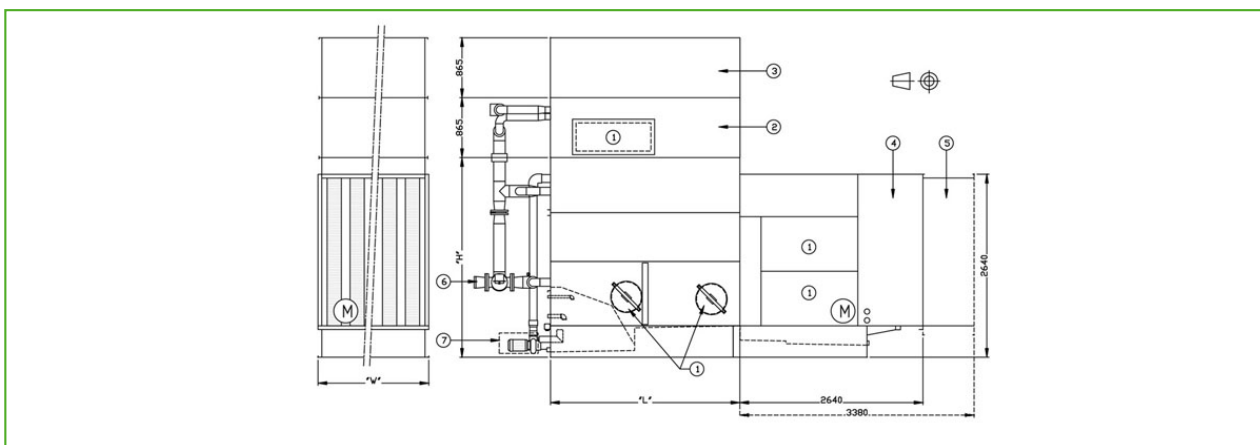
**REMARK:** Do not use for construction. Refer to factory certified dimensions & weights. This page includes data current at time of publication, which should be reconfirmed at the time of purchase. In the interests of product improvement, specifications, weights and dimensions are subject to change without notice.

### General notes

1. All connections 100 mm and smaller are MPT. Connections larger than 100 mm are beveled for welding.
2. Fan kW is for HFL units without FDC (0 Pa ESP) and in wet operation. To operate against external static pressure up to 125 Pa, consult your local BAC Balticare representative for size and location.
3. Airflow is for HFL units without FDC. For airflow of units equipped with the FDC consult your local BAC Balticare representative.
4. Unit height is indicative, for precise value refer to certified print.
5. Shipping/operating weights indicated are for units without accessories such as sound attenuators, discharge hoods, etc. Consult factory certified prints to obtain weight additions and the heaviest section to be lifted.
6. The weights for the 3-way-valve arrangement are the maximum weights.

**Last update:** 01/09/2019

### Sound attenuation HD



1. Access; 2. FDC; 3. Discharge attenuator; 4. Intake attenuator HS; 5. Intake attenuator HD; 6. Three-way valve arrangement.



Model	Weight Sound Attenuator Without Plenum (kg)			Weight Sound Attenuator With Plenum (kg)		
	Intake	Discharge	Total	Intake	Discharge	Total
HFL 361-L	710	275	985	710	315	1025
HFL 361-M	710	275	985	710	315	1025
HFL 362-M	710	275	985	710	315	1025
HFL 363-K	710	275	985	710	315	1025
HFL 363-M	710	275	985	710	315	1025
HFL 364-M	710	275	985	710	315	1025
HFL 481-M	710	335	1045	710	385	1095
HFL 482-L	710	335	1045	710	385	1095
HFL 483-L	710	335	1045	710	385	1095
HFL 483-M	710	335	1045	710	385	1095
HFL 484-M	710	335	1045	710	385	1095
HFL 721-L	1105	455	1560	1105	500	1605
HFL 721-M	1105	455	1560	1105	500	1605
HFL 721-O	1105	455	1560	1105	500	1605
HFL 722-N	1105	455	1560	1105	500	1605
HFL 722-O	1105	455	1560	1105	500	1605
HFL 723-L	1105	455	1560	1105	500	1605
HFL 723-O	1105	455	1560	1105	500	1605
HFL 724-O	1105	455	1560	1105	500	1605
HFL 961-P	1105	550	1655	1105	605	1710
HFL 962-N	1105	550	1655	1105	605	1710
HFL 962-O	1105	550	1655	1105	605	1710
HFL 962-P	1105	550	1655	1105	605	1710
HFL 963-O	1105	550	1655	1105	605	1710
HFL 963-P	1105	550	1655	1105	605	1710
HFL 964-O	1105	550	1655	1105	605	1710
HFL 964-P	1105	550	1655	1105	605	1710
HFL 1081-O	1520	640	2160	1520	700	2220
HFL 1081-P	1520	640	2160	1520	700	2220
HFL 1082-O	1520	640	2160	1520	700	2220
HFL 1082-P	1520	640	2160	1520	700	2220
HFL 1083-O	1520	640	2160	1520	700	2220
HFL 1083-P	1520	640	2160	1520	700	2220
HFL 1084-O	1520	640	2160	1520	700	2220
HFL 1084-P	1520	640	2160	1520	700	2220
HFL 1084-Q	1520	640	2160	1520	700	2220
HFL 1441-Q	1520	770	2290	1520	840	2360
HFL 1442-O	1520	770	2290	1520	840	2360
HFL 1442-P	1520	770	2290	1520	840	2360
HFL 1443-O	1520	770	2290	1520	840	2360
HFL 1443-P	1520	770	2290	1520	840	2360
HFL 1443-Q	1520	770	2290	1520	840	2360
HFL 1444-O	1520	770	2290	1520	840	2360
HFL 1444-P	1520	770	2290	1520	840	2360
HFL 1444-Q	1520	770	2290	1520	840	2360
HFL 1501-L	2210	910	3120	2210	1000	3210
HFL 1501-M	2210	910	3120	2210	1000	3210
HFL 1501-O	2210	910	3120	2210	1000	3210
HFL 1502-N	2210	910	3120	2210	1000	3210
HFL 1502-O	2210	910	3120	2210	1000	3210
HFL 1503-L	2210	910	3120	2210	1000	3210
HFL 1503-O	2210	910	3120	2210	1000	3210
HFL 1504-O	2210	910	3120	2210	1000	3210
HFL 1921-P	2210	1100	3310	2210	1210	3420
HFL 1922-N	2210	1100	3310	2210	1210	3420
HFL 1922-O	2210	1100	3310	2210	1210	3420



HFL 1922-P	2210	1100	3310	2210	1210	3420
HFL 1923-O	2210	1100	3310	2210	1210	3420
HFL 1923-P	2210	1100	3310	2210	1210	3420
HFL 1924-P	2210	1100	3310	2210	1210	3420
HFL 2161-O	3040	1280	4320	3040	1400	4440
HFL 2161-P	3040	1280	4320	3040	1400	4440
HFL 2162-O	3040	1280	4320	3040	1400	4440
HFL 2162-P	3040	1280	4320	3040	1400	4440
HFL 2163-O	3040	1280	4320	3040	1400	4440
HFL 2163-P	3040	1280	4320	3040	1400	4440
HFL 2164-O	3040	1280	4320	3040	1400	4440
HFL 2164-P	3040	1280	4320	3040	1400	4440
HFL 2164-Q	3040	1280	4320	3040	1400	4440
HFL 2881-Q	3040	1540	4580	3040	1680	4720
HFL 2882-O	3040	1540	4580	3040	1680	4720
HFL 2882-P	3040	1540	4580	3040	1680	4720
HFL 2883-O	3040	1540	4580	3040	1680	4720
HFL 2883-P	3040	1540	4580	3040	1680	4720
HFL 2883-Q	3040	1540	4580	3040	1680	4720
HFL 2884-P	3040	1540	4580	3040	1680	4720
HFL 2884-Q	3040	1540	4580	3040	1680	4720