



HFL 108X-144X

Closed circuit cooling towers

Engineering data

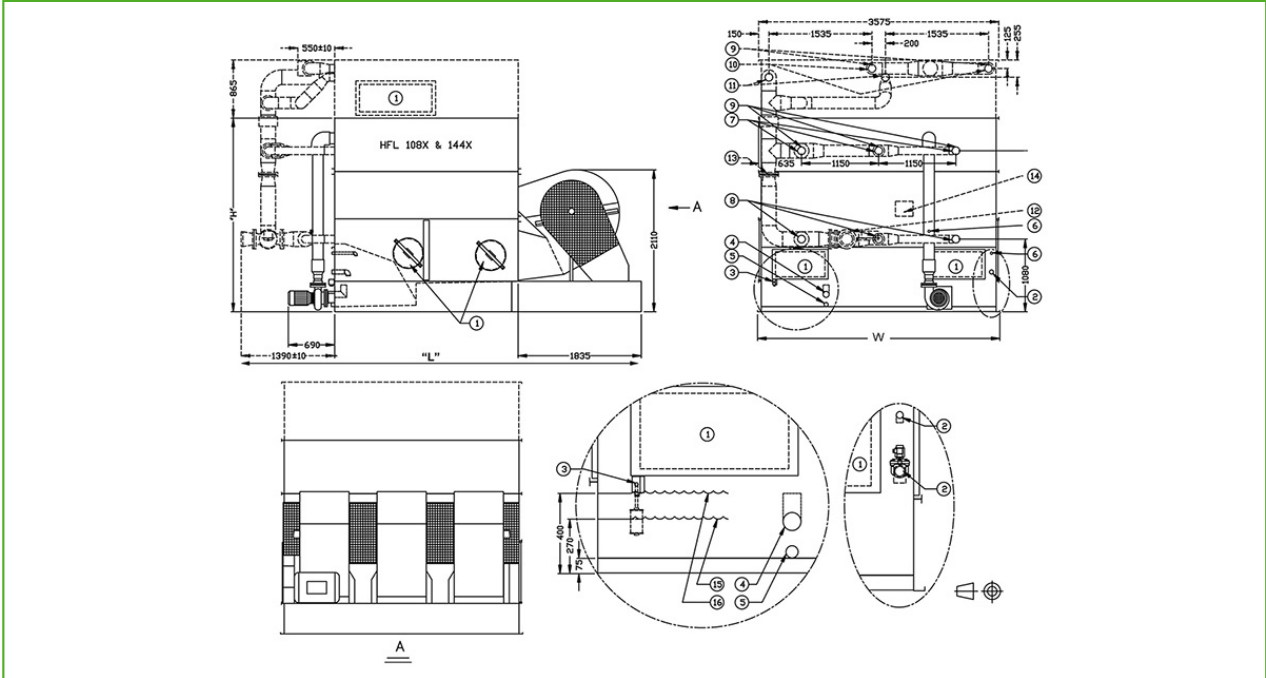
REMARK: Do not use for construction. Refer to factory certified dimensions & weights. This page includes data current at time of publication, which should be reconfirmed at the time of purchase. In the interests of product improvement, specifications, weights and dimensions are subject to change without notice.

General notes

1. All connections 100 mm and smaller are MPT. Connections larger than 100 mm are beveled for welding.
2. Fan kW is for HFL units without FDC (0 Pa ESP) and in wet operation. To operate against external static pressure up to 125 Pa, consult your local BAC Balticare representative for size and location.
3. Airflow is for HFL units without FDC. For airflow of units equipped with the FDC consult your local BAC Balticare representative.
4. Unit height is indicative, for precise value refer to certified print.
5. Shipping/operating weights indicated are for units without accessories such as sound attenuators, discharge hoods, etc. Consult factory certified prints to obtain weight additions and the heaviest section to be lifted.
6. The weights for the 3-way-valve arrangement are the maximum weights.

Last update: 01/09/2019

HFL 108X-144X



1. Access; 2. Make up; 3. Electric float switch; 4. Overflow; 5. Drain; 6. Water treatment connection; 7. Bare coil fluid inlet ND100; 8. Bare coil fluid outlet ND100; 9. Vent; 10. FDC fluid inlet ND100; 11. FDC fluid outlet ND100; 12. Three-way valve; 13. Orifice; 14. Terminal box; 15. Operating level; 16. Overflow level.



Model	Weights (kg)			Dimensions (mm)			Air Flow (m ³ /s)	Fan Motor (kW)	Water Flow (l/s)	Pump Motor (kW)
	Oper. Weight (kg)	Ship. Weight(kg)	Heaviest Section (kg)	L	W	H				
HFL 1081-O	7280	5310	5310	4565	3605	2175	33.29	(1x) 22.0	26.9	(1x) 4.0
HFL 1081-P	7300	5330	5330	4565	3605	2175	36.92	(1x) 30.0	26.9	(1x) 4.0
HFL 1082-O	8250	6050	6050	4565	3605	2410	32.35	(1x) 22.0	26.9	(1x) 4.0
HFL 1082-P	8270	6070	6070	4565	3605	2410	35.87	(1x) 30.0	26.9	(1x) 4.0
HFL 1083-O	9410	6840	6840	4565	3605	2675	31.12	(1x) 22.0	26.9	(1x) 4.0
HFL 1083-P	9430	6860	6860	4565	3605	2675	34.51	(1x) 30.0	26.9	(1x) 4.0
HFL 1084-O	10340	7640	7640	4565	3605	2880	30.45	(1x) 22.0	26.9	(1x) 4.0
HFL 1084-P	10360	7660	7660	4565	3605	2880	33.77	(1x) 30.0	26.9	(1x) 4.0
HFL 1084-Q	10460	7760	7760	4565	3605	2880	36.21	(1x) 37.0	26.9	(1x) 4.0
HFL 1441-Q	8660	6340	6340	5485	3605	2175	40.67	(1x) 37.0	36.3	(1x) 4.0
HFL 1442-O	9770	7220	7220	5485	3605	2410	33.65	(1x) 22.0	36.3	(1x) 4.0
HFL 1442-P	9790	7240	7240	5485	3605	2410	37.31	(1x) 30.0	36.3	(1x) 4.0
HFL 1443-O	11080	8170	8170	5485	3605	2675	32.75	(1x) 22.0	36.3	(1x) 4.0
HFL 1443-P	11100	8190	8190	5485	3605	2675	36.31	(1x) 30.0	36.3	(1x) 4.0
HFL 1443-Q	11190	8290	8290	5485	3605	2675	39.94	(1x) 37.0	36.3	(1x) 4.0
HFL 1444-O	13110	9140	9140	5485	3605	2880	32.09	(1x) 22.0	36.3	(1x) 4.0
HFL 1444-P	12535	9160	9160	5485	3605	2880	35.58	(1x) 30.0	36.3	(1x) 4.0
HFL 1444-Q	12635	9260	9260	5485	3605	2880	38.15	(1x) 37.0	36.3	(1x) 4.0