



HFL 72X-96X

Closed circuit cooling towers

Engineering data

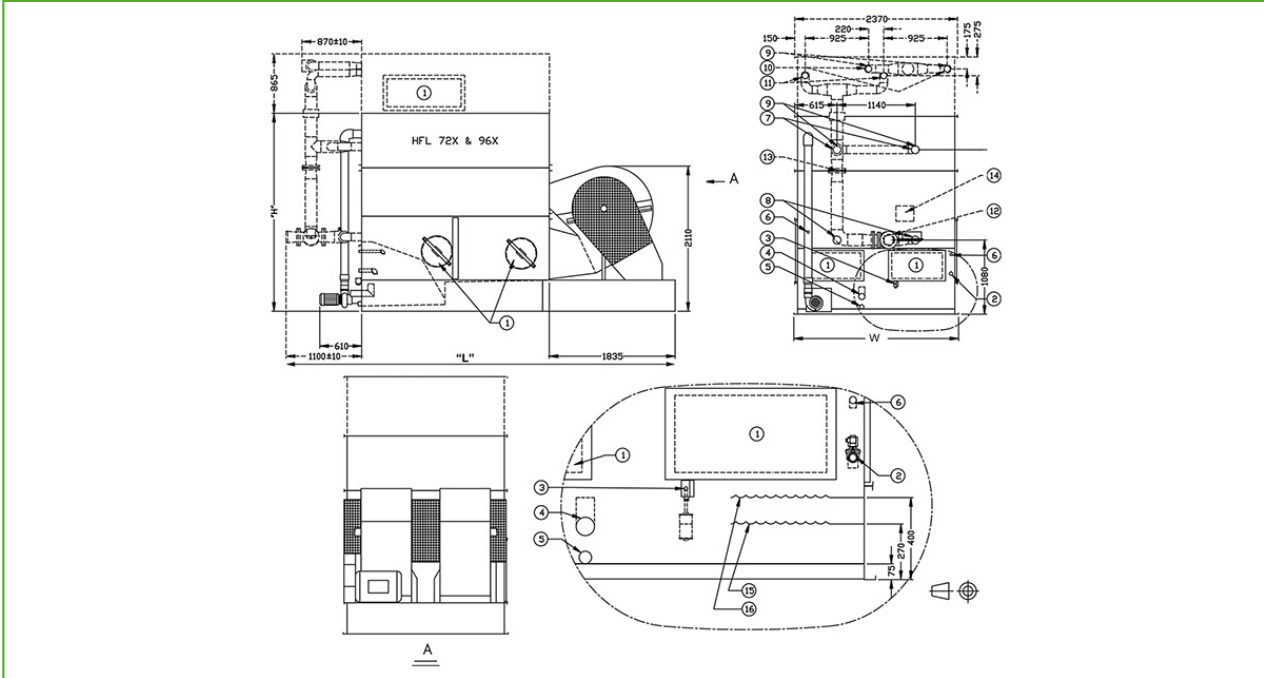
REMARK: Do not use for construction. Refer to factory certified dimensions & weights. This page includes data current at time of publication, which should be reconfirmed at the time of purchase. In the interests of product improvement, specifications, weights and dimensions are subject to change without notice.

General notes

1. All connections 100 mm and smaller are MPT. Connections larger than 100 mm are beveled for welding.
2. Fan kW is for HFL units without FDC (0 Pa ESP) and in wet operation. To operate against external static pressure up to 125 Pa, consult your local BAC Balticare representative for size and location.
3. Airflow is for HFL units without FDC. For airflow of units equipped with the FDC consult your local BAC Balticare representative.
4. Unit height is indicative, for precise value refer to certified print.
5. Shipping/operating weights indicated are for units without accessories such as sound attenuators, discharge hoods, etc. Consult factory certified prints to obtain weight additions and the heaviest section to be lifted.
6. The weights for the 3-way-valve arrangement are the maximum weights.

Last update: 01/09/2019

HFL 72X-96X



1. Access; 2. Make up; 3. Electric float switch; 4. Overflow; 5. Drain; 6. Water treatment connection; 7. Bare coil fluid inlet ND100; 8. Bare coil fluid outlet ND100; 9. Vent; 10. FDC fluid inlet ND80; 11. FDC fluid outlet ND80; 12. Three-way valve; 13. Orifice; 14. Terminal box; 15. Operating level; 16. Overflow level.



Model	Weights (kg)			Dimensions (mm)			Air Flow (m³/s)	Fan Motor (kW)	Water Flow (l/s)	Pump Motor (kW)
	Oper. Weight (kg)	Ship. Weight(kg)	Heaviest Section (kg)	L	W	H				
HFL 721-L	4765	3450	3450	4565	2400	2175	20.0	(1x) 11.0	17.9	(1x) 1.1
HFL 721-M	4775	3460	3460	4565	2400	2175	21.8	(1x) 15.0	17.9	(1x) 1.1
HFL 721-O	4805	3490	3490	4565	2400	2175	24.6	(1x) 22.0	17.9	(1x) 1.1
HFL 722-N	5495	4000	4000	4565	2400	2410	22.8	(1x) 18.5	17.9	(1x) 1.1
HFL 722-O	5515	4020	4020	4565	2400	2410	24.0	(1x) 22.0	17.9	(1x) 1.1
HFL 723-L	6225	4510	4510	4565	2400	2675	19.3	(1x) 11.0	17.9	(1x) 1.1
HFL 723-O	6265	4550	4550	4565	2400	2675	23.4	(1x) 22.0	17.9	(1x) 1.1
HFL 724-O	6935	5090	5090	4565	2400	2880	22.9	(1x) 22.0	17.9	(1x) 1.1
HFL 961-P	5650	4190	4190	5485	2400	2175	28.7	(1x) 30.0	24.2	(1x) 2.2
HFL 962-N	6400	4700	4700	5485	2400	2410	24.5	(1x) 18.5	24.2	(1x) 2.2
HFL 962-O	6440	4740	4740	5485	2400	2410	25.9	(1x) 22.0	24.2	(1x) 2.2
HFL 962-P	6540	4840	4840	5485	2400	2410	28.3	(1x) 30.0	24.2	(1x) 2.2
HFL 963-O	7340	5400	5400	5485	2400	2675	25.6	(1x) 22.0	24.2	(1x) 2.2
HFL 963-P	7440	5500	5500	5485	2400	2675	27.9	(1x) 30.0	24.2	(1x) 2.2
HFL 964-O	8330	6050	6050	5485	2400	2880	24.71	(1x) 22.0	24.2	(1x) 2.2
HFL 964-P	8430	6150	6150	5485	2400	2880	27.4	(1x) 30.0	24.2	(1x) 2.2