

# NXF 0403E-CS2Tx-

Closed circuit cooling towers

XX

## Engineering data

**Remark:** Do not use for construction. Refer to factory certified dimensions & weights. This page includes data current at time of publication, which should be reconfirmed at the time of purchase. In the interest of product improvement, specifications, weights and dimensions are subject to change without notice.

### General notes

1. Dimensions listed are maximum values for the standard arrangement and at maximum flow. For precise values refer to certified print.

[NXF performance at standard conditions - 30% EG](#)

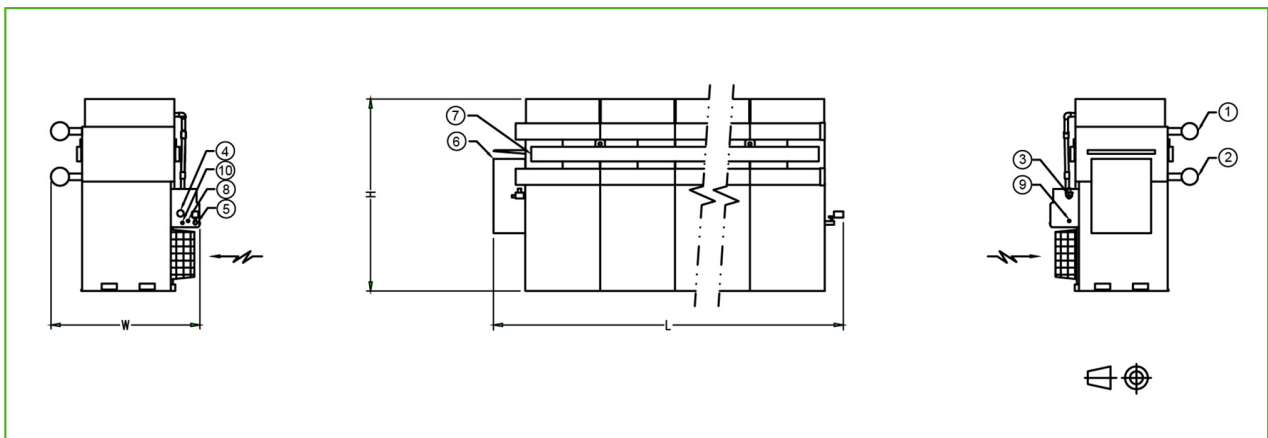
[NXF performance at standard conditions - 30% PG](#)

[NXF performance at standard conditions - 30% water](#)

[NXF - pressure drop](#)

**Last update:** 01/02/2023

### NXF 0403E-CS2Tx-xx



1. Fluid in; 2. Fluid out; 3. Make up; 4. Overflow; 5. Drain; 6. Control Panel; 7. Lifting beam; 8. Conductivity probe; 9. Treated water in; 10. Water treatment draw off.



Model	Number of modules	Weights (kg)		Dimensions (mm)			Air Flow (m <sup>3</sup> /s)	Fan Motor (kW)	Water Flow (l/s)	Pump Motor (kW)	HX Volume (L)
		Oper. Weight (kg)	Ship. Weight(kg)	L	W	H					
NXF 0 403E-C S2TS- H1	1	1236	1039	1643	2064	2585	4.0	(1x) 3.73	(1x) 2.0	(1x) 0.25	(2x) 50
NXF 0 403E-C S2TT- H1	1	1183	1007	1643	2064	2585	4.0	(1x) 3.73	(1x) 2.0	(1x) 0.25	(2x) 50
NXF 0 403E-C S2TS- H2	2	2455	2014	2647	2064	2585	7.9	(2x) 3.73	(2x) 2.0	(2x) 0.25	(4x) 50
NXF 0 403E-C S2TT- H2	2	2369	1979	2647	2064	2585	7.9	(2x) 3.73	(2x) 2.0	(2x) 0.25	(4x) 50
NXF 0 403E-C S2TS- H3	3	3646	2985	3650	2064	2585	11.9	(3x) 3.73	(3x) 2.0	(3x) 0.25	(6x) 50
NXF 0 403E-C S2TT- H3	3	3514	2930	3650	2064	2585	11.9	(3x) 3.73	(3x) 2.0	(3x) 0.25	(6x) 50
NXF 0 403E-C S2TS- H4	4	4895	3983	4653	2064	2585	15.9	(4x) 3.73	(4x) 2.0	(4x) 0.25	(8x) 50
NXF 0 403E-C S2TT- H4	4	4706	3906	4653	2064	2585	15.9	(4x) 3.73	(4x) 2.0	(4x) 0.25	(8x) 50
NXF 0 403E-C S2TS- H5	5	6137	4974	5657	2064	2585	19.9	(5x) 3.73	(5x) 2.0	(5x) 0.25	(10x) 50
NXF 0 403E-C S2TT- H5	5	5889	4873	5657	2064	2585	19.9	(5x) 3.73	(5x) 2.0	(5x) 0.25	(10x) 50
NXF 0 403E-C S2TS- H6	6	7379	5966	6660	2064	2585	23.8	(6x) 3.73	(6x) 2.0	(6x) 0.25	(12x) 50
NXF 0 403E-C S2TT- H6	6	7072	5840	6660	2064	2585	23.8	(6x) 3.73	(6x) 2.0	(6x) 0.25	(12x) 50