

TSU-C/D 290-340-400-450

Ice thermal storage

Engineering data

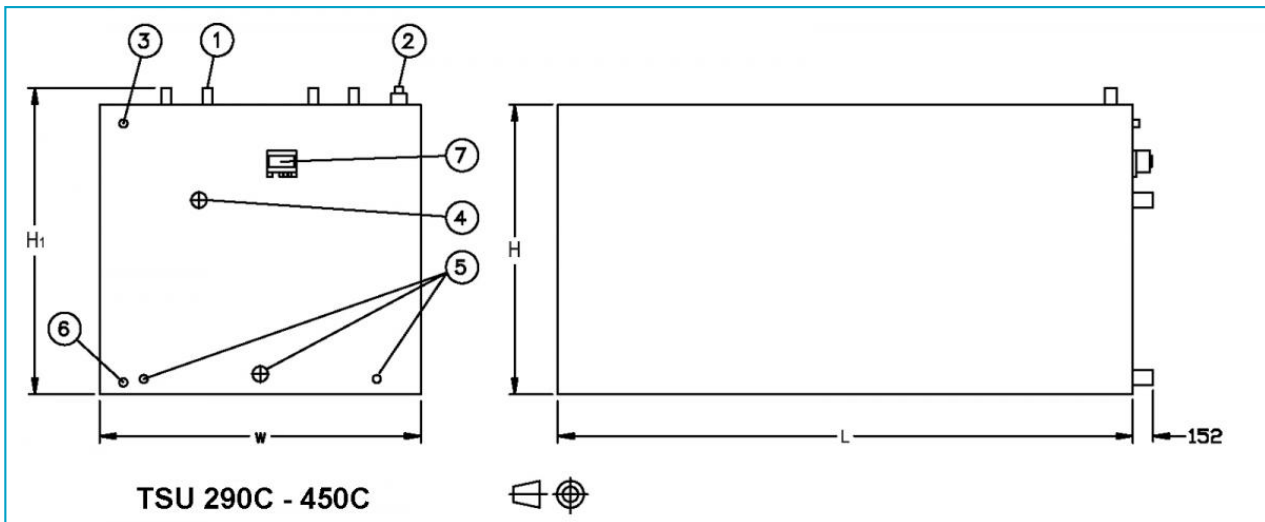
REMARK: Do not use for construction. Refer to factory certified dimensions & weights. This page includes data current at time of publication, which should be reconfirmed at the time of purchase. In the interest of product improvement, specifications, weights and dimensions are subject to change without notice.

General notes

1. All dimensions are in mm. Weights are in kg.
2. Unit should be continuously supported on a flat level surface.
3. All connections are threaded.
4. H_1 = installed height. Coils connections are closed and filled with inert gas for shipping and storage. Add 130 mm for shipping height.
5. Refrigerant charge listed is operating charge for pump recirculated bottom feed. For other feed systems, consult your BAC Balticare representative.

Last update: 01/09/2019

TSU-C/D 290-340-400-450



1. Coil connections; 2. Make up ND50; 3. Overflow ND50; 4. Water out; 5. Water in; 6. Drain ND50; 7. ICE LOGIC®.



Model	Approx. Ship. Weight (kg)	Approx. Oper. Weight (kg)	Air Pump (kW)	Water Volume (l)	Pull Down Volume (l)	Coil Volume (L)	R717 charge (kg)	Water Conn. In ND (mm)	Water Conn. Out ND (mm)	H	H1	L	W
TSU-290C	5600	25210	1,5	18700	492	878	379	150+2x80	150	2160	2360	3683	2982
TSU-340C	6245	29260	1,5	21960	606	1020	440	150+2x80	150	2160	2360	4293	2982
TSU-400C	7210	33630	1,5	25120	681	1161	501	150+2x80	150	2160	2360	4877	2982
TSU-450C	7900	37680	1,5	28470	757	1275	550	150+2x80	150	2160	2360	5486	2982