



VCL 042H-159M

Refrigerant condensers

Engineering data

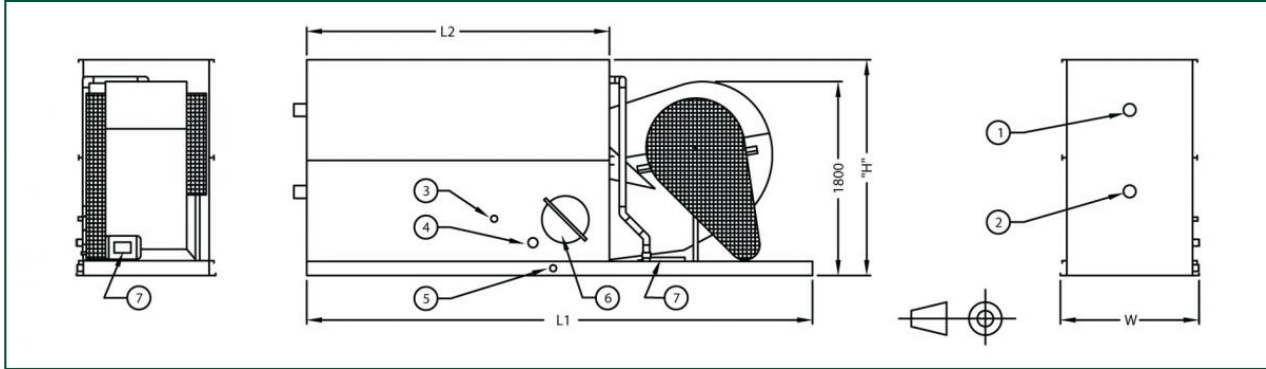
REMARK: Do not use for construction. Refer to factory certified dimensions & weights. This page includes data current at time of publication, which should be reconfirmed at the time of purchase. In the interest of product improvement, specifications, weights and dimensions are subject to change without notice.

General notes

1. All models are single coil section units. Fan cycling results only in on-off operation. For additional steps of control, the Baltiguard[®] Drive System and two-speed fan motors are available. More precise capacity control can be obtained with modulating fan discharge dampers.
2. Make up, overflow, suction, drain connections and access door can be provided on side opposite of that shown; consult your BAC representative.
3. Unit height is indicative, for precise value refer to certified print.
4. Shipping/operating weights indicated are for units without accessories such as sound attenuators, discharge hoods, etc. Consult factory certified prints to obtain weight additions and the heaviest section to be lifted.
5. For indoor applications of evaporative condensers, the room may be used as a plenum with ductwork attached to the discharge only. If inlet ductwork is required, an enclosed fan section must be specified; consult your BAC representative for details.
6. Fan kW is at 0 Pa ESP. To operate against external static pressure up to 125 Pa, increase each fan motor one size.
7. Refrigerant charge listed is R 717 operating charge. To determine operating charge of R22 refrigerants, multiply by: 1,93. For R134A, multiply by: 1,98.
8. Refrigerant connections are standard bevelled for welding.

Last update: 01/09/2019

VCL 042H-159M



1. Refrigerant in ND100; 2. Refrigerant out ND100; 3. Make up ND25; 4. Overflow ND50 on VCL 042-119 & 133 - ND80 on VCL 131 & 140-159; 5. Drain ND50; 6. Access; 7. Spray pump; 8. Fan motor.



Model	Weights (kg)			Dimensions (mm)				Air Flow (m³/s)	Fan Motor (kW)	Water Flow (l/s)	Fluid Outlet ND (mm)	R717 charge (kg)
	Oper. Weight (kg)	Ship. Weight(kg)	Heaviest Section (kg)	L1	L2	W	H					
VCL 042-H	1610	1100	1100	3350	1820	1250	1585	7.9	(1x) 4.0	5.9	(1x) 0.55	20.0
VCL 048-G	1800	1270	1270	3350	1820	1250	1855	6.7	(1x) 2.2	5.9	(1x) 0.55	28.0
VCL 054-H	1810	1280	1280	3350	1820	1250	1855	7.6	(1x) 4.0	5.9	(1x) 0.55	28.0
VCL 058-G	1990	1440	1440	3350	1820	1250	2015	6.4	(1x) 2.2	5.9	(1x) 0.55	38.0
VCL 065-H	2005	1460	1460	3350	1820	1250	2015	7.4	(1x) 4.0	5.9	(1x) 0.55	38.0
VCL 071-J	2025	1490	1490	3350	1820	1250	2015	8.1	(1x) 5.5	5.9	(1x) 0.55	38.0
VCL 073-H	2190	1640	1640	3350	1820	1250	2230	7.2	(1x) 4.0	5.9	(1x) 0.55	46.0
VCL 079-J	2220	1670	1670	3350	1820	1250	2230	7.9	(1x) 5.5	5.9	(1x) 0.55	46.0
VCL 084-K	2530	1750	1750	4560	2730	1250	1855	11.4	(1x) 7.5	9.0	(1x) 0.75	42.0
VCL 096-J	2810	2010	2010	4560	2730	1250	2090	10.2	(1x) 5.5	9.0	(1x) 0.75	55.0
VCL 102-K	2820	2020	2020	4560	2730	1250	2090	11.2	(1x) 7.5	9.0	(1x) 0.75	55.0
VCL 111-L	2840	2080	2080	4560	2730	1250	2090	12.3	(1x) 11.0	9.0	(1x) 0.75	55.0
VCL 119-M	2845	2090	2090	4560	2730	1250	2090	12.4	(1x) 15.0	9.0	(1x) 0.75	55.0
VCL 115-K	3090	2280	2280	4560	2730	1250	2350	10.8	(1x) 7.5	9.0	(1x) 0.75	72.0
VCL 133-M	3120	2350	2350	4560	2730	1250	2350	13.0	(1x) 15.0	9.0	(1x) 0.75	72.0
VCL 131-L	3560	2490	2490	5480	3650	1250	2090	13.6	(1x) 11.0	12.1	(1x) 1.1	74.0
VCL 140-M	3570	2500	2500	5480	3650	1250	2090	14.8	(1x) 15.0	12.1	(1x) 1.1	74.0
VCL 148-L	3930	2830	2830	5480	3650	1250	2350	13.4	(1x) 11.0	12.1	(1x) 1.1	92.0
VCL 159-M	3940	2840	2840	5480	3650	1250	2350	14.6	(1x) 15.0	12.1	(1x) 1.1	92.0