



PLC xxx-0812E-K

Refrigerant condensers

Engineering data

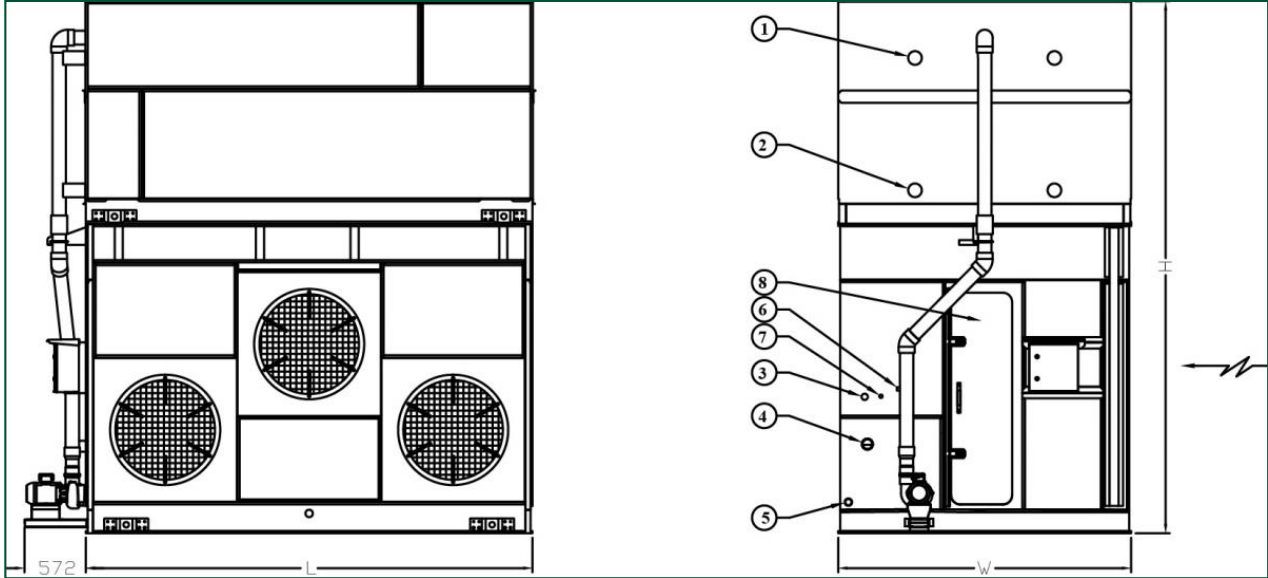
REMARK: Do not use for construction. Refer to factory certified dimensions & weights. This page includes data current at time of publication, which should be reconfirmed at the time of purchase. In the interest of product improvement, specifications, weights and dimensions are subject to change without notice.

General notes

1. Standard refrigerant in- and outlet connection sizes are ND100. Consult your local BAC Balticare representative for locations. Refrigerant connections are closed and coils are filled with an inert gas.
2. Unit height is indicative. For precise value refer to certified print.
3. Shipping/operating weights indicated are for units without accessories such as sound attenuators, discharge hoods, etc. Consult factory certified prints to obtain weight additions and the heaviest section to be lifted. Operating weights shown in the tables is based on total unit weight, weight of refrigerant operating charge and basin filled to overflow level.
4. Drawings show the standard right hand arrangement (air inlet side on the right when facing the connection end). Left hand arrangement can be supplied upon request.

Last update: 09/08/2019

PLC xxx-0812E-K



1. Refrigerant in ND100; 2. Refrigerant out ND100; 3. Make up ND40; 4. Overflow ND80; 5. Drain ND50; 6. Bleed ND25; 7. Treated Water In ND20; 8. Access door.



Model	Weights (kg)			Dimensions (mm)			Air Flow (m ³ /s)	Fan Motor (kW)	Water Flow (l/s)	Pump Motor (kW)	R717 charge (kg)
	Oper. Weight (kg)	Ship. Weight(kg)	Heaviest Section (kg)	L	W	H					
PLC 0 191-08 12E-K	5982	4627	2391	3651	2394	3869	31.65	(3x) 7.0	21.6	(1x) 2.2	100.0
PLC 0 218-08 12E-K	6600	5214	2978	3651	2394	4104	30.23	(3x) 7.0	21.6	(1x) 2.2	132.0
PLC 0 240-08 12E-K	7219	5801	3565	3651	2394	4339	28.81	(3x) 7.0	21.6	(1x) 2.2	164.0
PLC 0 265-08 12E-K	7766	6316	4080	3651	2394	4353	27.4	(3x) 7.0	21.6	(1x) 2.2	196.0
PLC 0 282-08 12E-K	8371	6889	4653	3651	2394	4544	25.98	(3x) 7.0	21.6	(1x) 2.2	228.0
PLC 0 294-08 12E-K	8976	7462	5226	3651	2394	4734	24.56	(3x) 7.0	21.6	(1x) 2.2	260.0