



# VFL 24X-48X

## Closed circuit cooling towers

### Engineering data

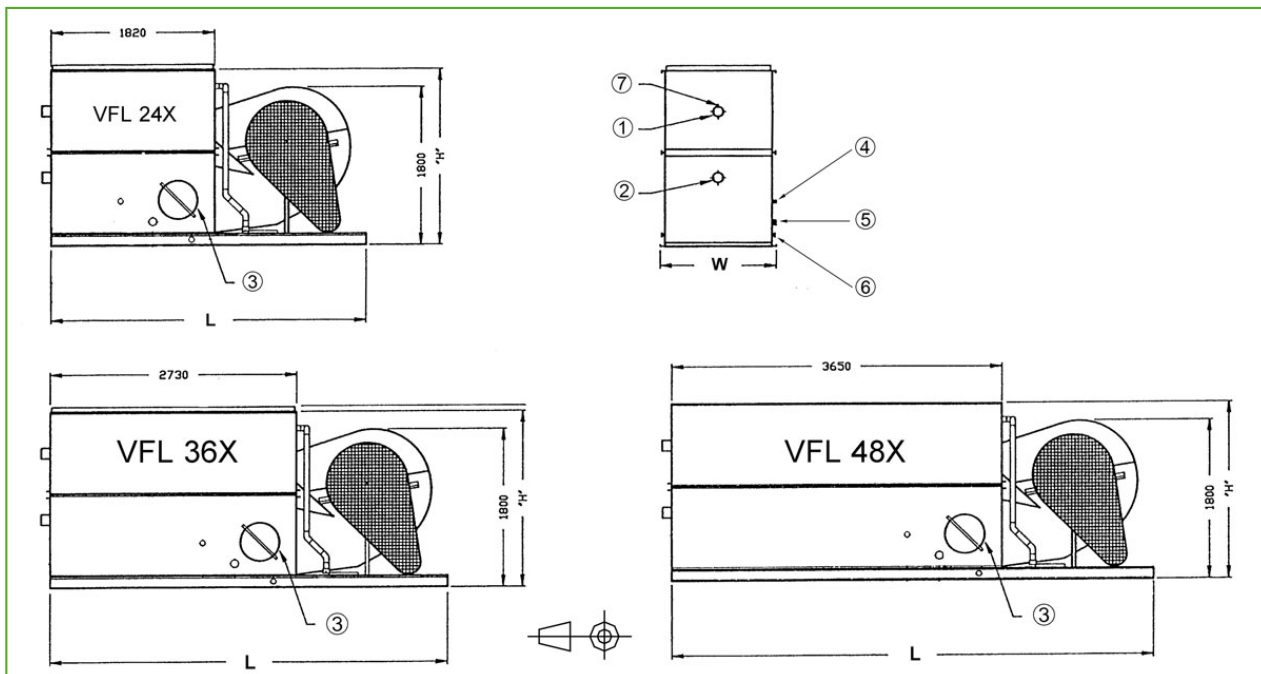
**REMARK:** Do not use for construction. Refer to factory certified dimensions & weights. This page includes data current at time of publication, which should be reconfirmed at the time of purchase. In the interest of product improvements, specifications, weights and dimensions are subject to change without notice.

### General notes

1. All location dimensions for coil connections are approximate and should not be used for prefabrication of connection piping.
2. If discharge hoods with positive closure dampers are furnished, see table in section Engineering Data Straight Discharge Hood with PCD for added weight and height.
3. For external static pressure up to 125 Pa use next larger motor size.
4. For indoor applications of fluid coolers, the room may be used as a plenum with ductwork attached to the discharge only. If inlet ductwork is required, an enclosed fan section must be specified; consult your BAC Balticare representative for details.
5. Fan cycling results only in on-off operation. For additional steps of control, two-speed fan motors are available. More precise capacity control can be obtained with modulation fan discharge dampers or a BALTI GUARD<sup>®</sup> Drive System.
6. Make up, overflow, suction, drain connection and access door can be provided on side opposite to that shown; consult your BAC Balticare representative.
7. Shipping/operating weights indicated are for units without accessories such as sound attenuators, discharge hoods, plume abatement coils, etc. Consult factory certified prints to obtain weight additions and the heaviest section to be lifted.

**Last update:** 08/01/2021

### VFL 24X-48X



1. Fluid in ND100; 2. Fluid out ND100; 3. Access door; 4. Make up ND25; 5. Overflow ND50 for VFL 24X and 36X and ND80 for VFL 48X; 6. Drain ND50; 7. Vent ND15



Model	Weights (kg)			Dimensions (mm)			Air Flow (m <sup>3</sup> /s)	Fan Motor (kW)	Water Flow (l/s)	Pump Motor (kW)	Coil Volume (L)
	Oper. Weight (kg)	Ship. Weight(kg)	Heaviest Section (kg)	L	W	H					
VFL 241-H	1950	1280	1280	3350	1250	1855	7.6	(1x) 4.0	5.9	(1x) 0.55	(1x) 176
VFL 242-H	2220	1460	1460	3350	1250	2015	7.4	(1x) 4.0	5.9	(1x) 0.55	(1x) 229
VFL 242-J	2230	1490	1490	3350	1250	2015	8.1	(1x) 5.5	5.9	(1x) 0.55	(1x) 229
VFL 243-J	2470	1670	1670	3350	1250	2230	7.9	(1x) 5.5	5.9	(1x) 0.55	(1x) 282
VFL 361-L	2800	1810	1810	4560	1250	1855	12.7	(1x) 11.0	9.0	(1x) 0.75	(1x) 258
VFL 361-M	2810	1820	1820	4560	1250	1855	13.8	(1x) 15.0	9.0	(1x) 0.75	(1x) 258
VFL 362-M	3130	2090	2090	4560	1250	2090	13.4	(1x) 15.0	9.0	(1x) 0.75	(1x) 338
VFL 363-K	3470	2280	2280	4560	1250	2350	10.8	(1x) 7.5	9.0	(1x) 0.75	(1x) 418
VFL 363-M	3540	2350	2350	4560	1250	2350	13.0	(1x) 15.0	9.0	(1x) 0.75	(1x) 418
VFL 481-M	3490	2170	2170	5480	1250	1855	15.1	(1x) 15.0	12.1	(1x) 1.1	(1x) 341
VFL 482-L	3930	2490	2490	5480	1250	2090	13.6	(1x) 11.0	12.1	(1x) 1.1	(1x) 448
VFL 483-L	4390	2830	2830	5480	1250	2350	13.4	(1x) 11.0	12.1	(1x) 1.1	(1x) 556
VFL 483-M	4400	2840	2840	5480	1250	2350	14.6	(1x) 15.0	12.1	(1x) 1.1	(1x) 556
VFL 484-M	4860	3170	3170	5480	1250	2560	14.3	(1x) 15.0	12.1	(1x) 1.1	(1x) 664