

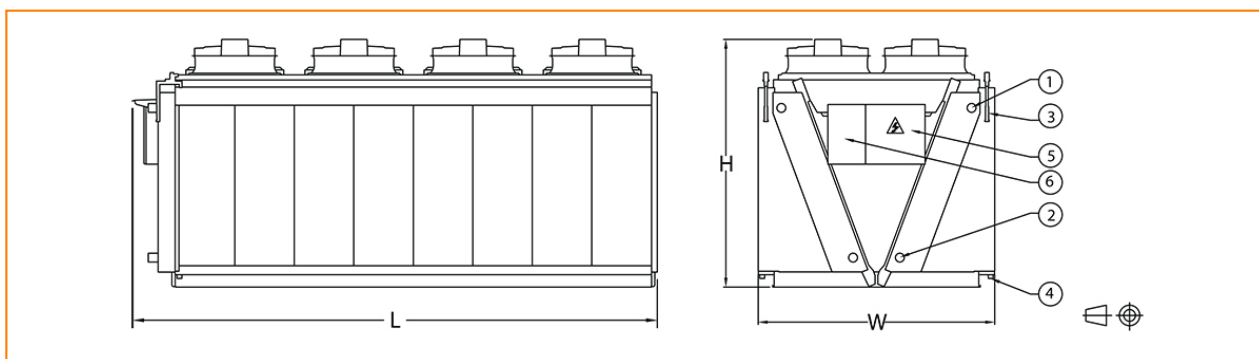
Dry and adiabatic cooling

Engineering data

REMARK: Do not use for construction. Refer to factory certified dimensions & weights. This page includes data current at time of publication, which should be reconfirmed at the time of purchase. In the interest of product improvement, specifications, weights and dimensions are subject to change without notice.

Last update: 01/09/2019

TVFC_EC8024-D810_EC8024-S810



1. Fluid outlet connection; 2. Fluid inlet connection; 3. Pre-cooler city water connection; 4. Pre-cooler water drain; 5. Electrical power panel; 6. Control panel.



Model	Nr. of Fans	Weights (kg)			Dimensions (mm)			Air Flow (m ³ /s)	Tube Internal Volume (dm ³)	Surface (m ²)	Connections
		Oper. Weight (kg)	Ship. Weight(kg)	Heaviest Section (kg)	L	W	H				
TVFC EC802 4-D810	8	3527	2874	2874	5497	2382	2490	49.5	434.0	2216.0	2
TVFC EC802 4-H810	8	3527	2874	2874	5497	2382	2490	49.5	434.0	2216.0	2
TVFC EC802 4-L810	8	3527	2874	2874	5497	2382	2490	49.5	434.0	2216.0	2
TVFC EC802 4-M810	8	3527	2874	2874	5497	2382	2490	49.5	434.0	2216.0	2
TVFC EC802 4-Q810	8	3527	2874	2874	5497	2382	2490	49.5	434.0	2216.0	2
TVFC EC802 4-S810	8	3527	2874	2874	5497	2382	2490	49.5	434.0	2216.0	2