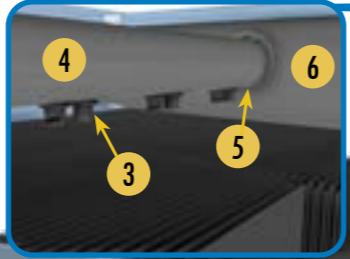


# VTO-1 >>>



Spare parts for cooling tower



## Fill Casing Section

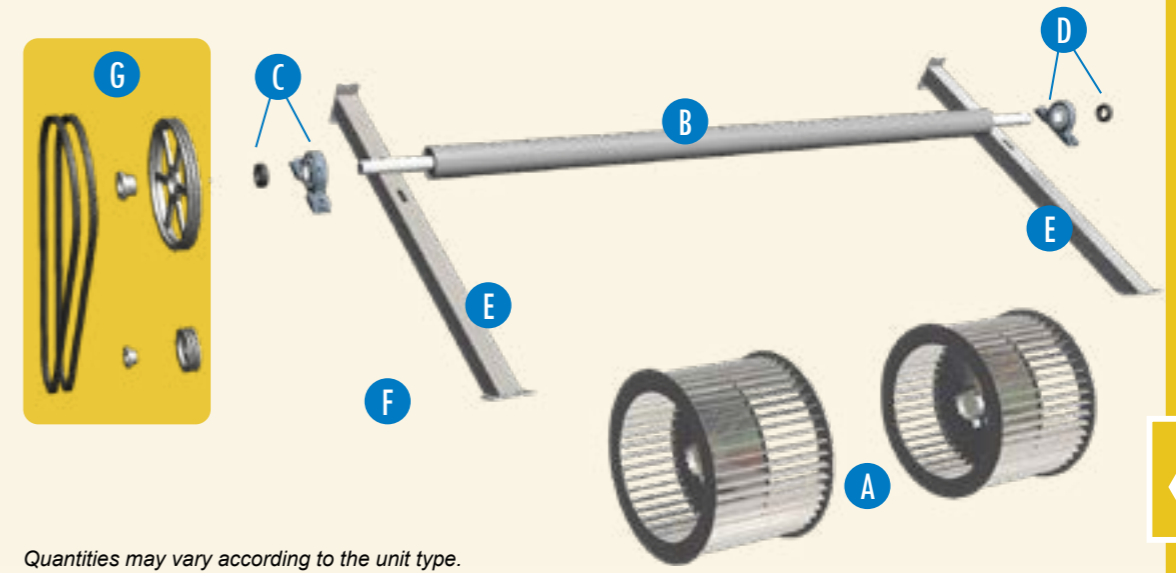
- i** 1. Drift eliminators
- i** 2. Fill kit & fill supports
- i** 3. Spray nozzles & nozzles grommets
- i** 4. Spray branches
- i** 5. Spray branch grommets
- i** 6. Spray header

## Pan Fan Section

- i** 7. Fan housing & fan snout
- i** 8. Fan guard
- i** 9. Motor base adjusting screw
- i** 10. Strainer
- i** 11. Make-up valve assembly
- i** 12. Float ball
- i** 13. Centrifugal fan assembly(see detailed view)
- i** 14. Heater
- i** 15. Low level cut out switch
- i** 16. Heater thermostat
- i** 17. Access door & gasket

## Centrifugal fan assembly

- i** A. Centrifugal fan wheel
- i** B. Fan shaft
- i** C. Bearing drive end with locking collar
- i** D. Bearing non-drive end with locking collar
- i** E. Bearing support
- i** F. Impervix Fan motor
- i** G. Drive set
  - i** Motor sheave & bushing
  - i** Fan sheave & bushing
  - i** Belt set



## Client contact information

Name \_\_\_\_\_  
 Company \_\_\_\_\_  
 Telephone \_\_\_\_\_  
 Email \_\_\_\_\_  
 Unit model \_\_\_\_\_  
 Serial number \_\_\_\_\_



Name \_\_\_\_\_  
 Telephone \_\_\_\_\_  
 Email \_\_\_\_\_



This is not an official order form.

Quantities may vary according to the unit type.

