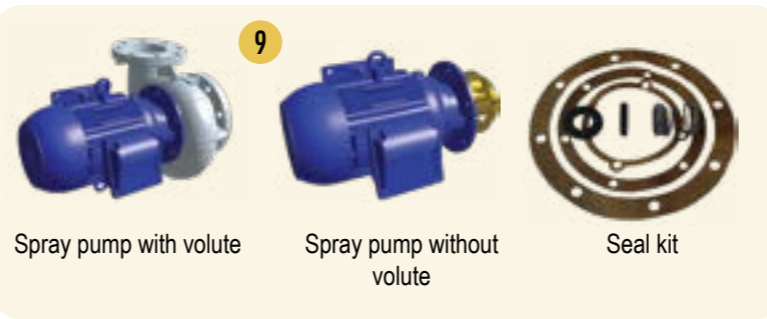
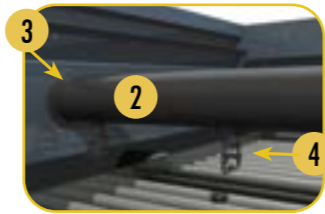




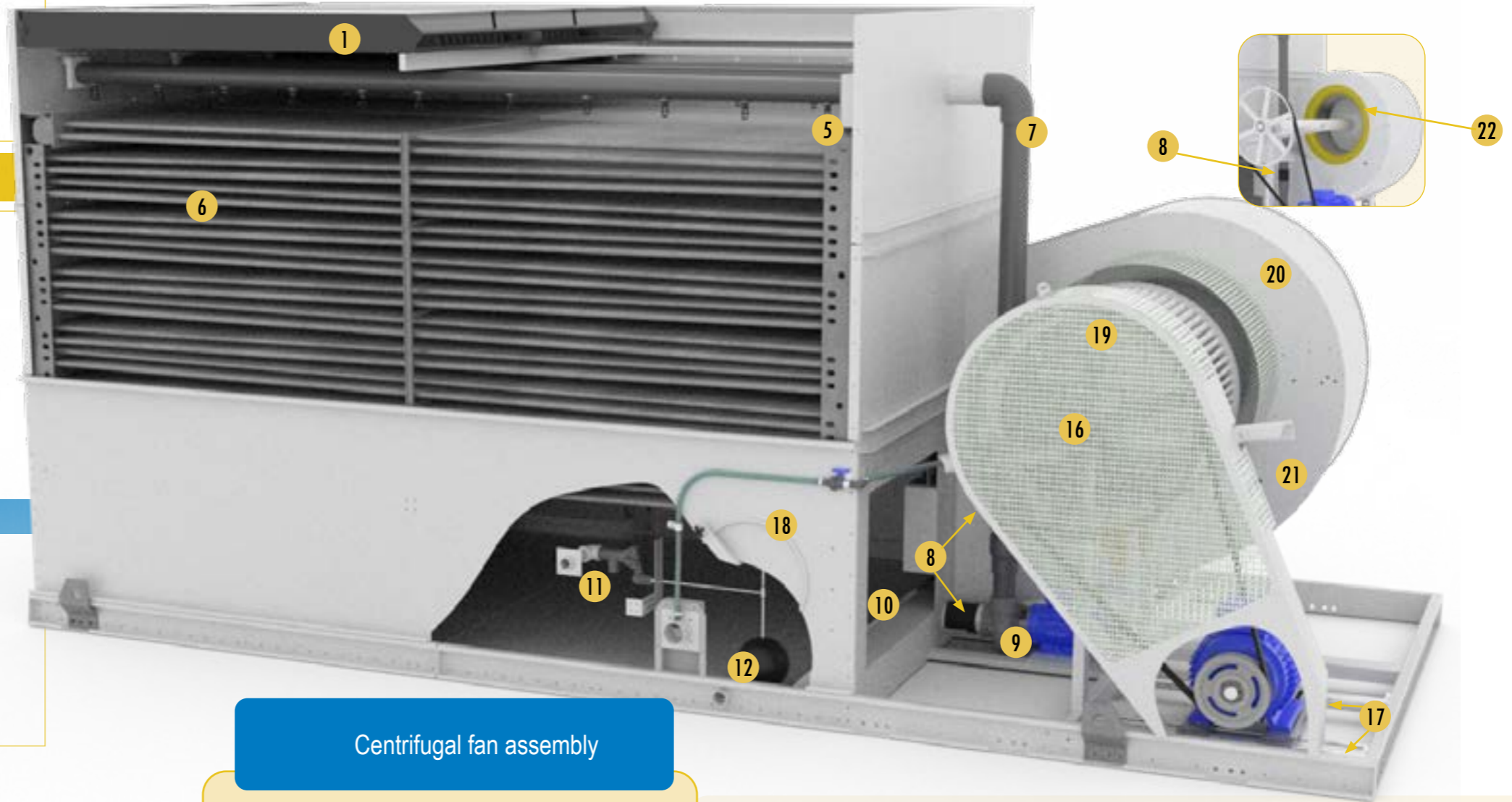
## Coil Casing Section

1. Drift eliminators
2. Spray branches
3. Spray branch grommets
4. Spray nozzles & nozzles grommets
5. Spray header
6. Coil(s)
7. Pump piping
8. Sleeve & clamps



## Pan Fan Section

9. Spray pump
  - with volute
  - without volute
  - seal kit
10. Strainer
11. Make-up valve & arm
12. Float ball
13. Heater
14. Heater thermostat
15. Low level cut out switch
16. Centrifugal fan assembly (see detailed view)
17. Motor base with adjuster
18. Access door & gasket
19. Fan guard
20. Fan housing - upper
21. Fan housing - lower
22. Fan inlet ring



Spare parts for condenser

## Client contact information

Name \_\_\_\_\_  
 Company \_\_\_\_\_  
 Telephone \_\_\_\_\_  
 Email \_\_\_\_\_  
 Unit model \_\_\_\_\_  
 Serial number \_\_\_\_\_

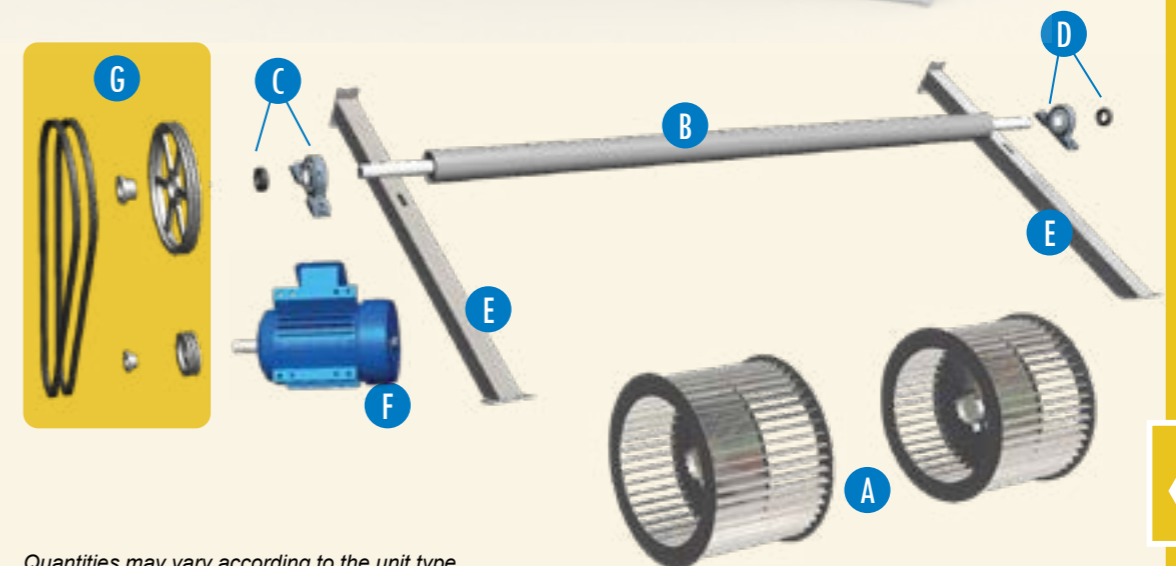


Your BAC contact

Name \_\_\_\_\_  
 Telephone \_\_\_\_\_  
 Email \_\_\_\_\_

## Centrifugal fan assembly

- A. Centrifugal fan wheel
- B. Fan shaft
- C. Bearing drive end with locking collar
- D. Bearing non-drive end with locking collar
- E. Bearing support
- F. Fan motor
- G. Drive set
  - Motor sheave & bushing
  - Fan sheave & bushing
  - Belt set



Quantities may vary according to the unit type.

This is not an official order form.

