

Fill & Pan Section

- 1. Hot water basin
- 2. Nozzles
- 3. Fill sheets with integrated drift eliminators
- 4. Combined inlet shields
- 5. Fan cylinder
- 6. Fan guard
- 7. Axial fan assembly (see detailed view)
- 8. Make-up valve assembly
- 9. Float ball
- 10. Access door
- 11. Motor base & adjust rod
- 12. Pan strainer
- 13. Inlet strainer
- 14. Heater
- 15. Low level cut out switch
- 16. Heater thermostat

Spare parts for cooling tower

Client contact information

Name _____

Company _____

Telephone _____

Email _____

Unit model _____

Serial number _____

Your BAC contact

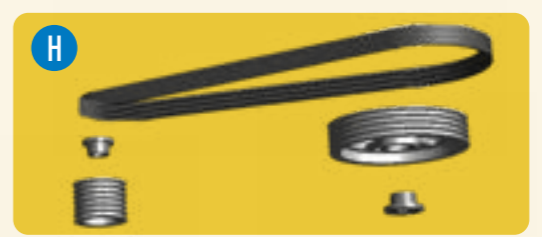
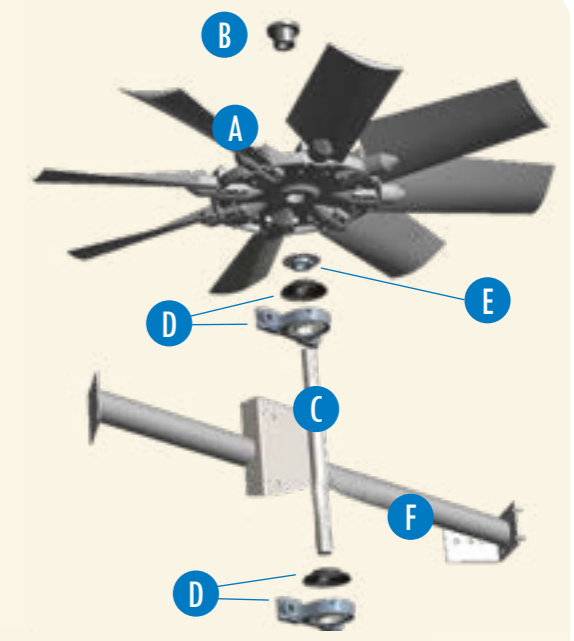
Name _____

Telephone _____

Email _____

Axial fan assembly

- A. Axial fan
- B. Fan bushing
- C. Fan shaft
- D. Bearing with flinger collar
- E. Fan locking collar
- F. Bearing support
- G. Impervix Fan motor
- H. Drive set
- Motor sheave & bushing
- Aluminium fan sheave & bushing
- Belt set



Quantities may vary according to the unit type.

This is not an official order form.

