

DFCV

Dry and adiabatic cooling

Engineering data

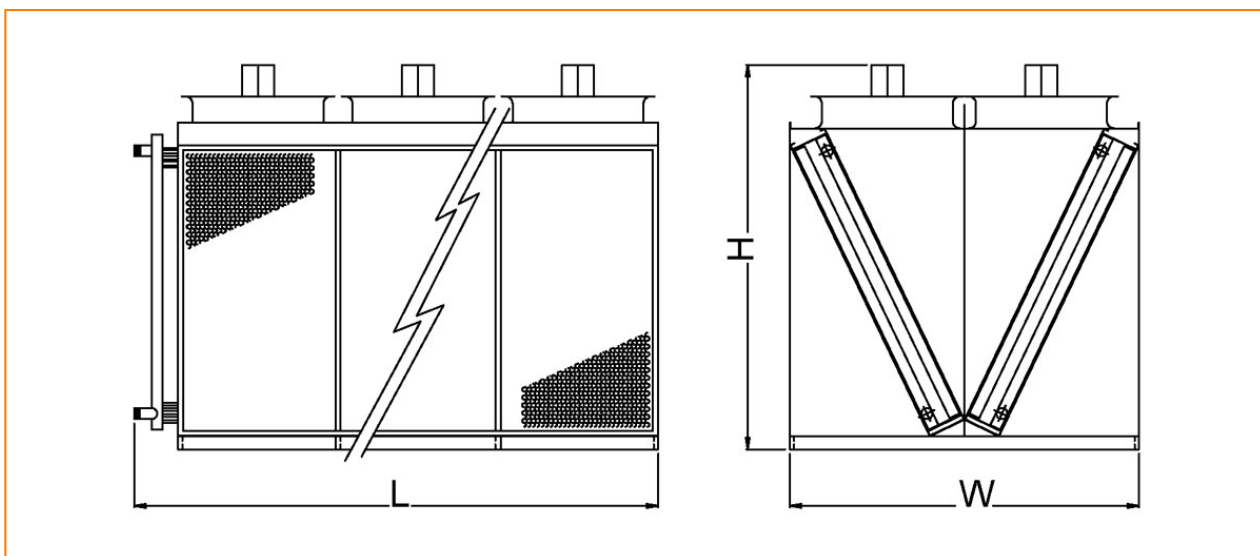
REMARK: Do not use for construction. Refer to factory certified dimensions & weights. This page includes data current at time of publication, which should be reconfirmed at the time of purchase. In the interest of product improvement, specifications, weights and dimensions are subject to change without notice.

General notes

1. Dry Cooler capacities are tested according to EN 1048.
2. Ratings shown are for clean tubes with 34% ethylene glycol solution by volume, 40°C in and 35°C out, 25°C ambient air temperature.
3. Sound Pressure Levels (L_{pA}) are measured in the horizontal plane at a distance of 10 m from the connection end of the unit, under free field conditions.

Last update: 31/05/2019

DFCV S91XX





Model	Nr. of Fans	Nominal Capacity (kW)	Air Flow (m³/s)	Cooling Agent l/s	Δp kPa	Tube Internal Volume (dm³)	Surface (m²)	Connections	Ship. Weight(kg)	Lp _A dB(A)	Dimensions (mm)		
		Δ / γ	Δ / γ	Δ / γ	Δ / γ					Δ / γ	L	W	H
S912 2-L61 6D	4 (2+2)	366/291	26,4/ 19,7	19,3/ 15,3	31/21	287	1335	4 x ND80	1606	58/52	2517	2400	2810
S912 3-S61 6D	6 (3+3)	555/436	39,6/ 29,6	29,3/ 23,0	36/23	430	2002	8 x ND80	2120	60/54	3617	2400	2810
S912 4-M6 16D	8 (4+4)	732/582	52,8/ 39,5	38,6/ 30,7	29/19	574	2669	8 x ND80	3015	61/55	4717	2400	2810
S912 5-M6 16D	10 (5+5)	937/733	66,0/ 49,4	49,5/ 38,7	50/32	717	3336	8 x ND100	3699	62/56	5817	2400	2810
S912 6-D61 6D	12 (6+6)	1110/873	79,2/ 59,3	58,6/ 46,1	41/26	860	4004	8 x ND100	4262	63/57	6917	2400	2810